

"A Trusted Partner in Pump Solutions"

# DNJ SERIES PUMPS

## END SUCTION CLOSE COUPLED



# DNJ SERIES PUMPS

These are close coupled with standard JM solids shaft ball bearing motors specially designed for pump applications in accordance with standards developed by the Hydraulic Institute (HI) and the National Electrical Manufacturers Association (NEMA).

## APPLICATIONS:

DNJ Series Pumps are designed for applications in medium duty service, in heating and air conditioning, booster and general circulating services.

## SPECIFICATIONS:

Capacities - Up to 2300 GPM

Pressure - Up to 175 PSI

Temperature - From 32°F to 200°F

Liquids - Water and Light Hydrocarbons

Head - Up to 400 Feet

Horsepower - Up to 100 HP

Drives - NEMA JM Motors

Materials - Cast Iron, Bronze, Stainless Steel

## FEATURES:

DNJ Series Pumps are available in cast iron bronze fitted and all iron Materials of Construction (MOC)

Pump casing is fitted with a bronze replaceable wear ring.

Motor bearings are grease lubricated and are sized for a minimum of 20,000 hours L10 basic rating life or 100,000 hours median bearing life.

The motor/impeller shaft is protected with a replaceable (bronze) sleeve installed between the shaft and mechanical seal.

Mechanical seals with face type ceramic seat, carbon washer, stainless steel metal parts and Buna elastomers are designed for water service and light hydrocarbons up to 200°F.

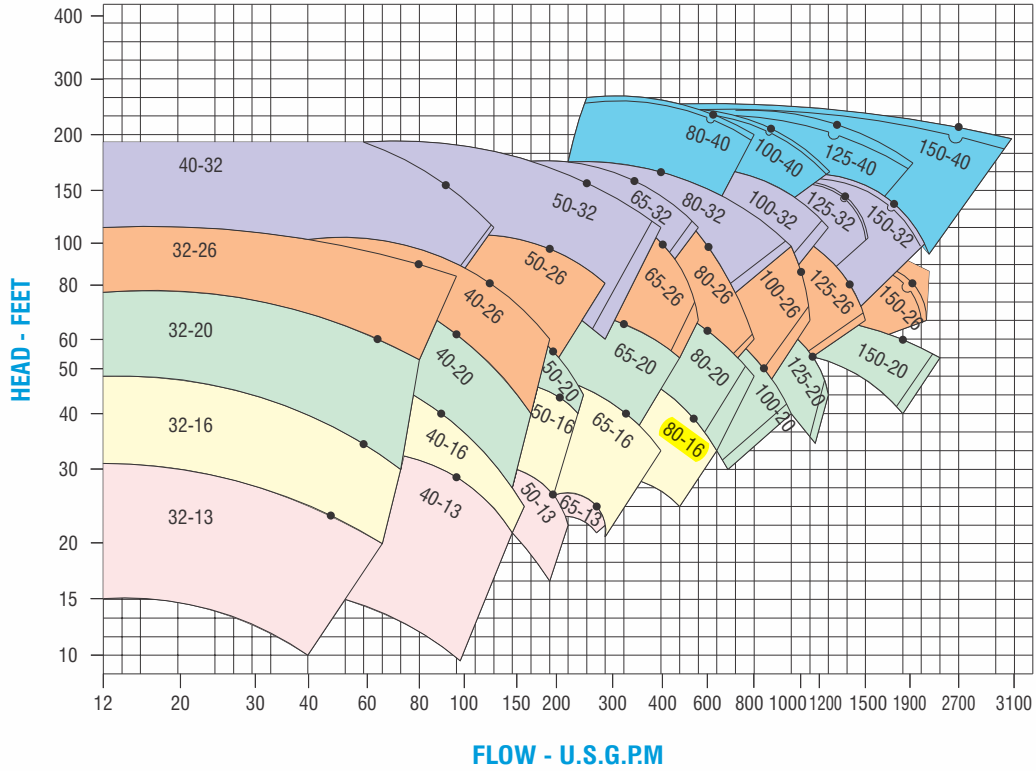
Rotech DN Series Pumps are supplied with enclosed dynamically balanced impellers for smooth, low vibration operation.

## ROTECH DNJ SERIES PUMPS:

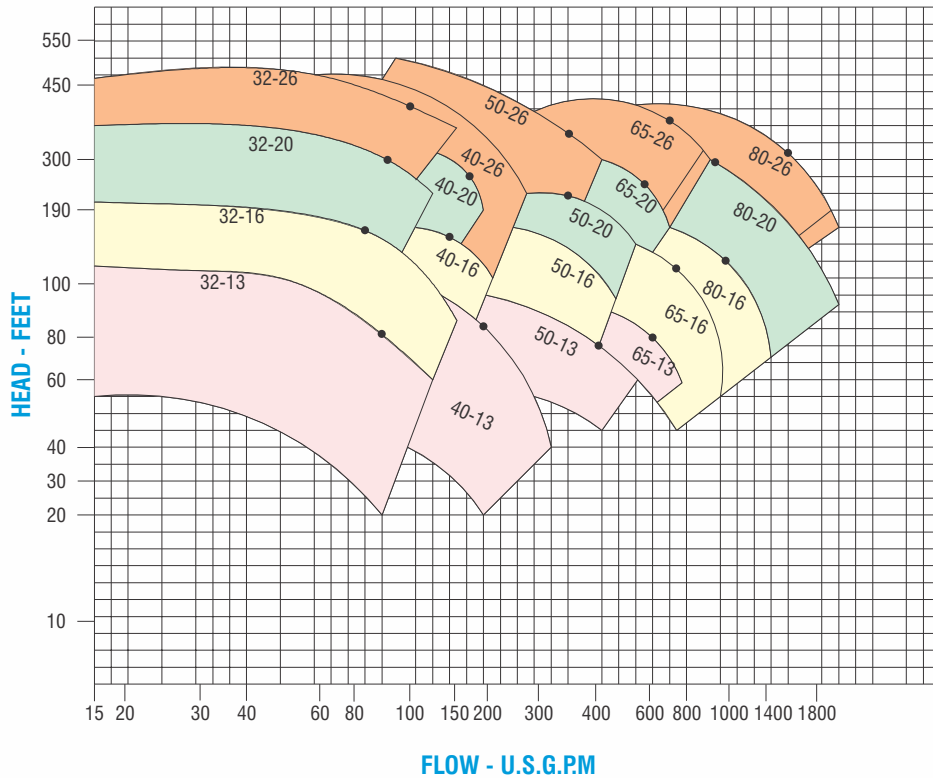
DNJ Pumps are furnished with enclosed dynamically balanced impellers for smooth, low vibration operation. DNJ Series pump designed tough, versatile products to meet your pumping needs. DNJ Series pump delivers variety, durability, standardized options and configurations. Please contact us to find out more about DNJ Series options & prices.

# HYDRAULIC COVERAGE

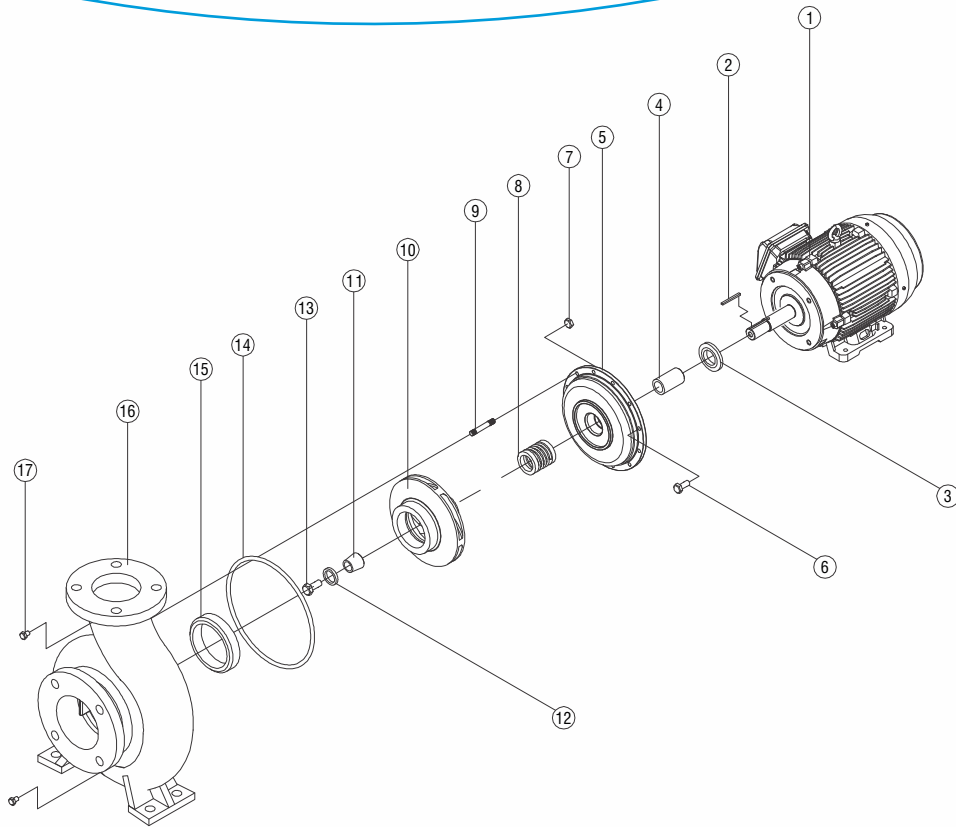
## Selection Chart 1800 RPM



## Selection Chart 3600 RPM



# EXPLODED VIEW



ITEM	QUANTITY	PART DESCRIPTION	MATERIAL
1	1	JM Motor	Cast Iron / Aluminium
2	1	Key	Steel
3	1	Slinger	Rubber
4	1	Shaft Sleeve	Bronze or Stainless Steel
5	1	Adaptor	Cast Iron
6	4	Bolt	Carbon Steel
7	4	Nut	Carbon Steel
8	1	Mechanical Seal	Car / Cer / NBR as normal
9	8	Bolt or Stud	Carbon Steel
10	1	Impeller	C.I / Bronze / Stainless Steel
11	1	Impeller Nut	Carbon Steel
12	1	Spring Washer	Stainless Steel
13	1	Hex Pocket Head Bolt	Carbon Steel
14	1	O-Ring	NBR
15	1 or 2	Wear Ring	C.I / Bronze / Stainless Steel
16	1	Pump Casing	Carbon Steel
17	2	Plug	Carbon Steel



"A Trusted Partner in Pump Solutions"

1320 Britannia Road East  
Mississauga, Ontario, Canada. L4W 1C8

Phone: (905) 461-9617 | Fax: (905) 461-9618  
Toll Free: 1-866-217-PUMP (7867)  
Email: sales@rotechpumps.com | www.rotechpumps.com