

"A Trusted Partner in Pump Solutions"

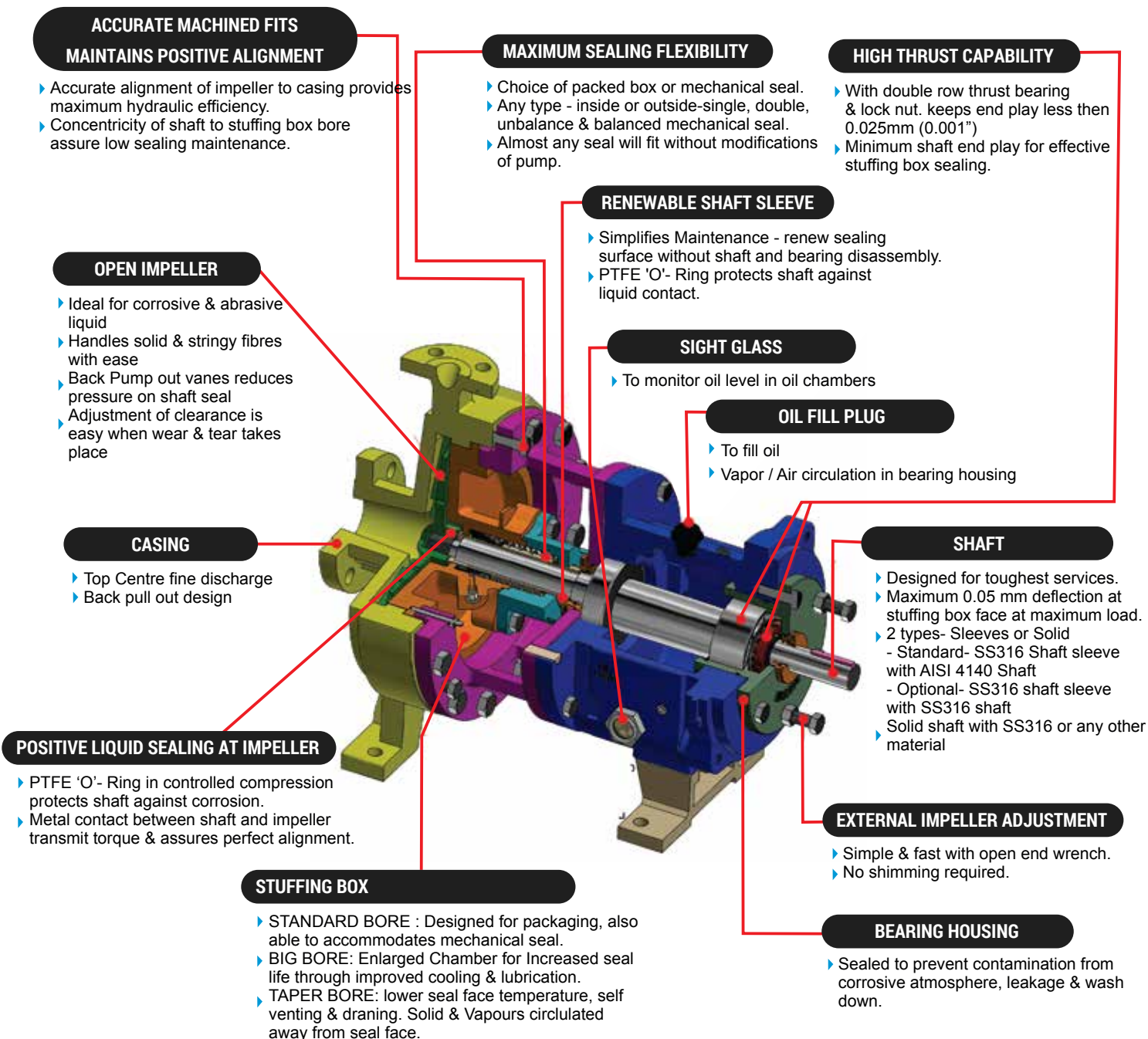
ANSI CHEMICAL PROCESS PUMP

1196 SERIES

ASME B73.1M STANDARD



DESIGN FEATURES

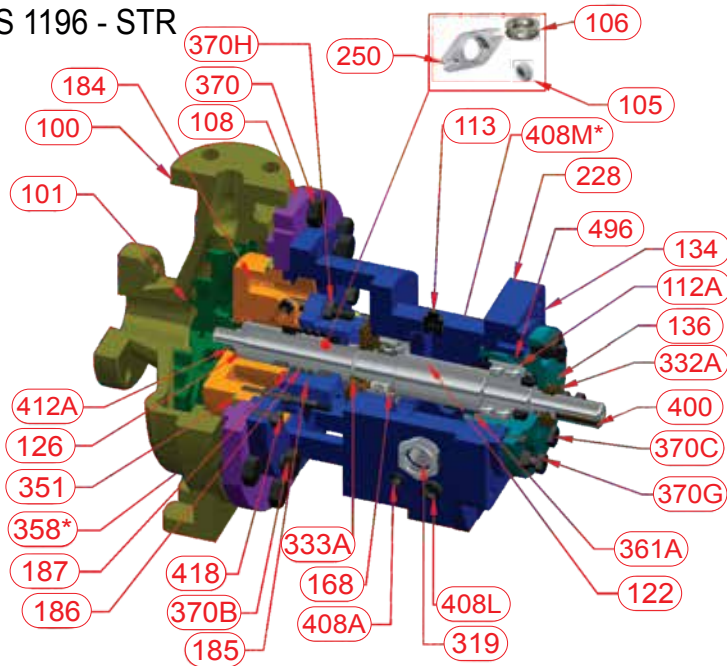


Material of Construction: Ductile Iron, Carbon Steel, CF8M, CD4MCUN, Alloy 20, Hastelloy B & C, Nickle

Industry Served : Oil & Gas, Refineries, power plant, Petro-Chemicals, water & waste water, HVAC, Food Processing, Pharma, Sugar and many more

CROSS SECTION VIEW

ANSI PUMP SERIES 1196 - STR



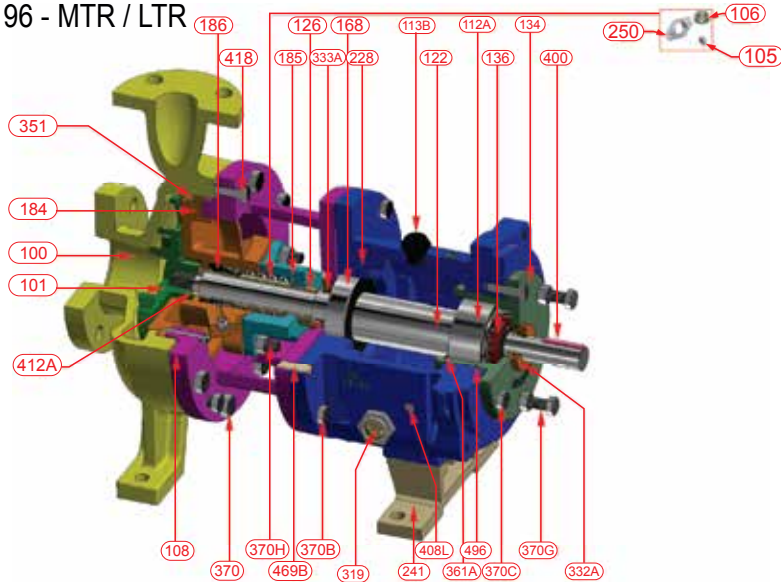
COMPONENTS LIST & MATERIAL OF CONSTRUCTION

PART Nos	PART DESCRIPTION	MATERIAL OF CONSTRUCTION					
		DI/ Carbon Steel	SS304	SS316	CD4MCu	Alloy20	Hastelloy B&C
100	Casing	DI/ Carbon Steel	SS304	SS316	CD4MCu	Alloy20	Hastelloy B&C
101	Impeller	DI/ Carbon Steel	SS316	SS316	CD4MCu	Alloy20	Hastelloy B&C
105	Lantern Ring (Optional)	Glass-Filled TEFLON*					
106	Stuffing Box Packing (Optional)	TEFLON* Impregnated Fiber					
108	AdapterPlate (8" Pump)	Cast Iron/Ductile iron					
112A	Thrust Bearing	Double Row					
113	Oil Fill Plug/Breather	Steel					
122	Shaft Less Sleeve (Optional)	SS316	SS316	SS316	SS316	Alloy20	Hastelloy
122	Shaft With Sleeve	SS316	SS316	Shaftless Sleeve , Solid Shaft (Optional)		SS316	
126	Shaft Sleeve	SS316		SS316	Alloy20		Hastelloy
134	Bearing Housing	Ductile Iron					
136	Bearing Locknut & Lock Washer	Steel					
168	Radial Bearing	Single Row					
184	Stuffing Box Cover	DI/Carbon Steel	SS316	SS316	CD4MCu	Alloy20	Hastelloy
185	Seal Chamber/Gland	Carbon Steel/SS316	SS316	SS316	CD4MCu	Alloy20	Hastelloy
186	Mechanical Seal						
187	SBC Gasket	TEFLON* /Non-Asbestos					
228	Bearing Frame	Ductile Iron					
250	Packing Gland (Optional)	SS316	SS316	CD4MCu	CD4MCu	Alloy20	Hastelloy
319	Oil Sight Glass	Glass/Aluminum					
332A	Labyrinth Oil Seal (Outboard)	Bronze					
333A	Labyrinth Oil Seal (Inboard)	Bronze					
351	Casing Gasket	Aramid Fiber with EPDM Rubber or PTFE					
358	Casing Drain Plug	Steel	SS316	SS316	2205	Alloy20	Hastelloy
361A	Bearing Snap Ring	Steel					
370	Cap Screw, Adapter-to-Casing	Steel					
370B	Bolt, Frame to Adapter (8" Pump)	Steel	SS304				
370C	Bolt,Bearing Housing	Steel	SS304				
370G	Stud c/w Nut	SS304					
370H	Stud/Nut, Cover-to-Adapter	Steel/SS304					
400	Shaft Key	Steel	SS316				
408A	Plug Frame Lubrication Port	Steel					
408L	Finned Tube Cooler Inlet Plug 1/2" NPT	Steel					
408M	Finned Tube Cooler Outlet Plug 1" NPT	Steel					
412A	O-Ring, Impeller	Glass-Filled TEFLON*					
418	Jacking Bolt	Steel/SS304					
496	O-Ring, Bearing Housing	Buna Rubber					

* E.I. DuPont reg.trademark

CROSS SECTION VIEW

ANSI PUMP SERIES 1196 - MTR / LTR

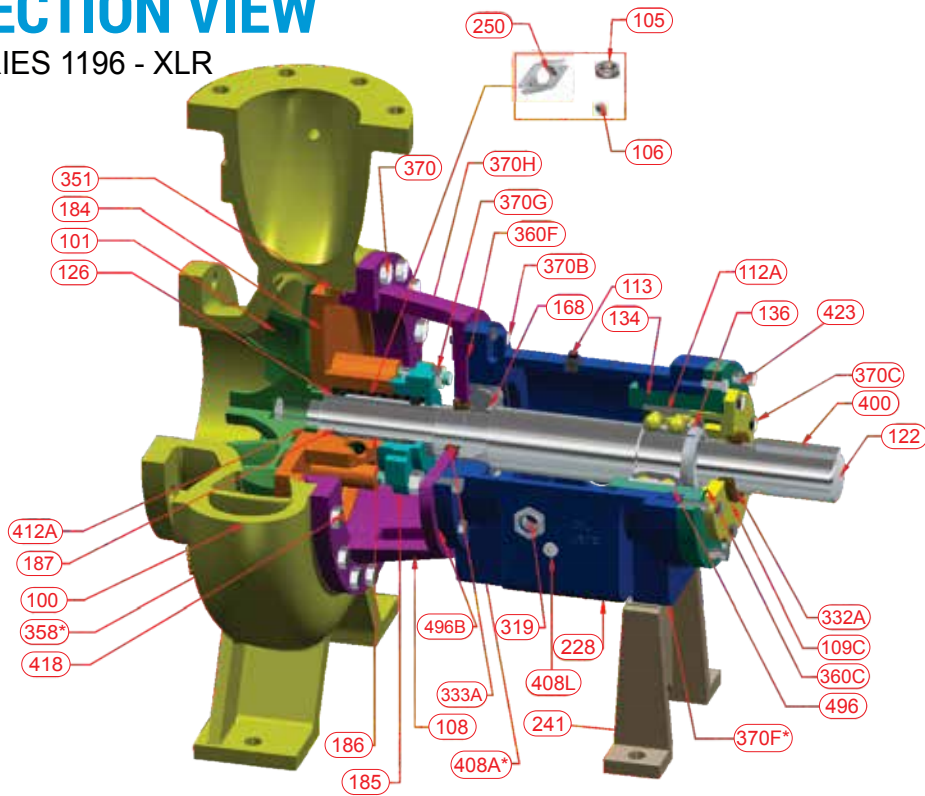


COMPONENTS LIST & MATERIAL OF CONSTRUCTION

Part Nos	PART DESCRIPTION	MATERIAL OF CONSTRUCTION					
		DI/ CARBON STEEL	SS304	SS316	CD4MCu	Alloy20	Hastelloy B&C
100	Casing	DI/ CARBON STEEL	SS304	SS316	CD4MCu	Alloy20	Hastelloy B&C
101	Impeller	DI/ CARBON STEEL	SS304	SS316	CD4MCu	Alloy20	Hastelloy B&C
105	Lantern Ring (Optional)	Glass-Filled Teflon*					
106	Stuffing Box Packing (Optional)	Teflon* Impregnated Fibers					
108	Frame Adapter	Cast Iron/ Duct Iron					
109C	Cover, Bearing, Outboard (Only Applicable for LTR)	Steel					
112A	Thrust Bearing	Double Row					
113	Oil Fill Plug/ Breather	Steel					
122	Shaft less Sleeve (Optional)	SS316	SS316	SS316	Alloy20	Hastelloy	
122	Shaft With Sleeve	SS316	SS316	Shaftless Sleeve, Solid Shaft (Optional)		SS316	
126	Shaft Sleeve	SS316		SS316	Alloy20	Hastelloy	
134	Bearing Housing	Ductile Iron					
136	Bearing Locknut & Lockwasher	Steel					
168	Radial Bearing	Single Row					
184	Stuffing Box Cover	Carbon Steel	SS316	SS316	CD4MCu	Alloy20	Hastelloy
185	Seal Chamber/ Gland	Carbon Steel/ SS316	SS316	SS316	CD4MCu	Alloy20	Hastelloy
186	Mechanical Seal						
187	SBC Gasket	Teflon/ Non- Asbestos					
228	Bearing Frame	Ductile Iron					
241	Leg						
248A	Ring, Oil (Only Applicable for LTR)	Rubber					
250	Packing Gland (Optional)	SS316		SS316	CD4MCu	Alloy20	Hastelloy
319	Oil Sight Glass	Glass/ Aluminium					
332A	Labyrinth Oil Seal (Outboard)	Bronze					
333A	Labyrinth Oil Seal (Inboard)	Bronze					
351	Casing Gasket	Aramid Fiber with EPDM Rubber or PTFE					
358	Casing Drain Plug	Steel	SS316		2205	Alloy20	Hastelloy
360F	Gasket, Frame to Adapter	Neoprene Rubber					
361A	Bearing Snap Ring	Steel					
370	Cap Screw, Adapter to Casing	Steel/ SS304					
370B	Bolt, Frame to Adapter	Steel/ SS304					
370C	Bolt, Bearing Housing	Steel/ SS304					
370F	Bolt, Frame Foot (Applicable in LTR only)	Steel/ SS304					
370G	Stud c/w Nut	SS304					
370H	Stud/ Nut, Cover-to-Adapter	Steel/ SS304					
400	Shaft key	Steel/ SS316					
408A	Plug-Oil Drain	Steel					
408L	Finned Tube Cooler Inlet Plug 1/2" NPT	Steel					
412A	O-Ring, Impeller	Glass-Filled Teflon*					
418	Jacking Bolt	Steel/ SS304					
469B	Dowel Pin, Frame to Adapter	Steel					
496	O- Ring, Bearing Housing	Buna Rubber					

CROSS SECTION VIEW

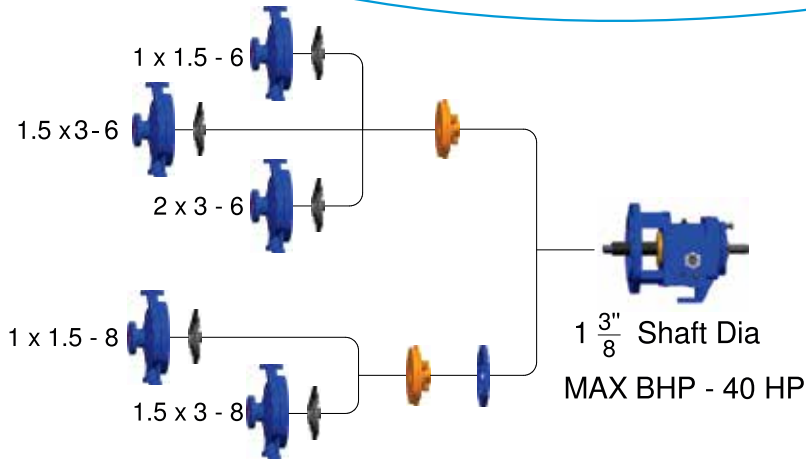
ANSI PUMP SERIES 1196 - XLR



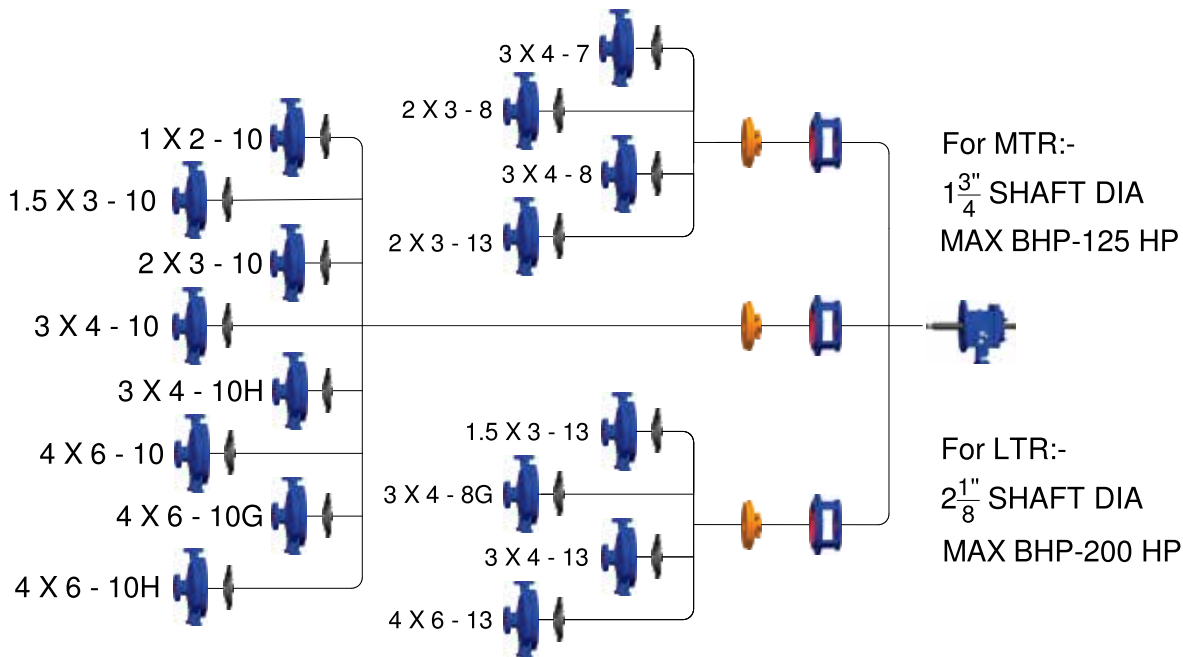
COMPONENTS LIST & MATERIAL OF CONSTRUCTION

PART NOS	PART DESCRIPTION	MATERIAL OF CONSTRUCTION					
		DI/ CARBON STEEL	SS304	SS316	CD4MCu	Alloy20	Hastelloy B&C
100	Casing	DI/ CARBON STEEL	SS304	SS316	CD4MCu	Alloy20	Hastelloy B&C
101	Impeller	DI/ CARBON STEEL	SS304	SS316	CD4MCu	Alloy20	Hastelloy B&C
105	Lantern Ring (Optional)	Glass-Filled Teflon*					
106	Stuffing Box Packing (Optional)	Teflon* Impregnated Fibers					
108	Frame Adapter	Cast Iron/ Duct Iron					
109C	Cover, Bearing, Outboard	Steel					
112A	Thrust Bearing	Double Row					
113	Oil Fill Plug/ Breather	Steel					
122	Shaft less Sleeve (Optional)	SS316	SS316	SS316	Alloy20	Hastelloy	
122	Shaft With Sleeve	SS316	SS316	Shaftless Sleeve, Solid Shaft (Optional)			SS316
126	Shaft Sleeve	SS316		SS316	Alloy20		Hastelloy
134	Bearing Housing	Ductile Iron					
136	Bearing Locknut & Lockwasher	Steel					
168	Radial Bearing	Single Row					
184	Stuffing Box Cover	Carbon Steel	SS316	SS316	CD4MCu	Alloy20	Hastelloy
185	Seal Chamber/ Gland	Carbon Steel/ SS316	SS316	SS316	CD4MCu	Alloy20	Hastelloy
186	Mechanical Seal						
187	SBC Gasket	Teflon/ Non- Asbestos					
228	Bearing Frame	Ductile Iron					
241	Leg						
250	Packing Gland (optional)	SS316		SS316	CD4MCu	Alloy20	Hastelloy
319	Oil Sight Glass	Glass/ Aluminium					
332A	Labyrinth Oil Seal (Outboard)	Bronze					
333A	Labyrinth Oil Seal (Inboard)	Bronze					
351	Casing Gasket	Aramid Fiber with EPDM Rubber or PTFE					
358	Casing Drain Plug	Steel	SS316	2205	Alloy20	Hastelloy	
360C	Gasket, Bearing End Cover	Non Asbestos Aramid Fibre					
360F	Gasket, Frame to Adapter	Neoprene Rubber					
370	Cap Screw, Adapter-to-Casing	Steel/ SS304					
370B	Bolt, Frame to Adapter	Steel/ SS304					
370C	Bolt, Bearing Housing	Steel/ SS304					
370F	Bolt, Frame Foot	Steel/ SS304					
370G	Stud c/w Nut	SS304					
370H	Stud/ Nut, Cover-to-Adapter	Steel/ SS304					
400	Shaft Key	Steel/ SS316					
408A	Plug Frame Lubrication Port	Steel					
408L	Finned Tube Cooler Inlet Plug 1/2" NPT	Steel					
412A	O-Ring, Impeller	Glass-Filled Teflon*					
418	Jacking Bolt	Steel/ SS304					
423	Housing Jam Nut	Steel/ SS304					
469B	Dowel Pin, Frame to Adapter	Steel					
496	O- Ring, Bearing Housing	Buna Rubber					

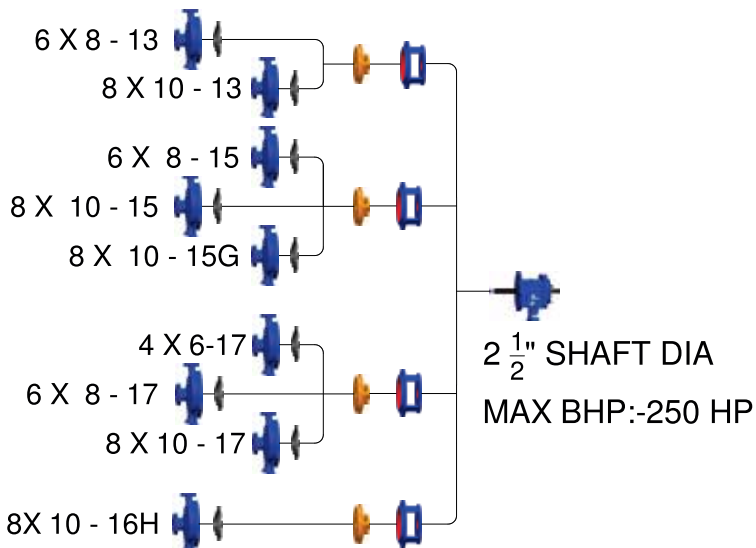
COMPONENTS / PARTS INTERCHANGEABILITY



MODEL 1196
STR



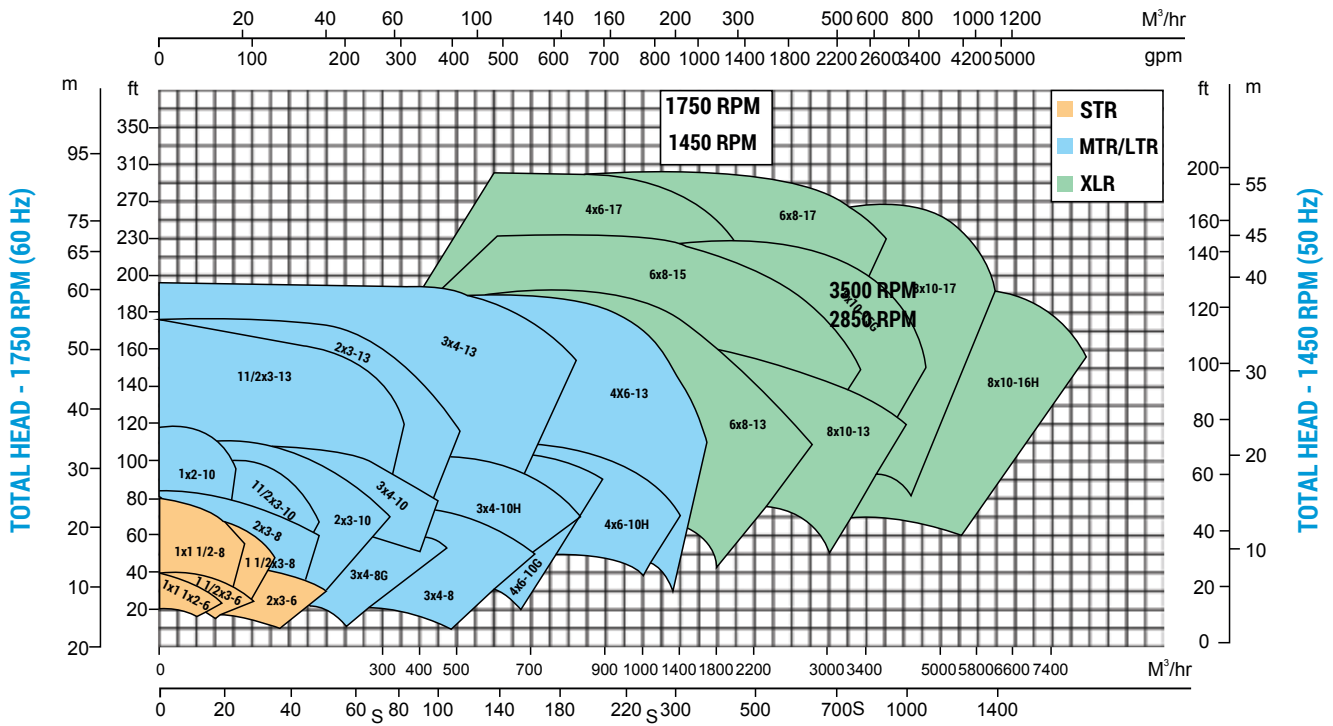
MODEL 1196
MTR / LTR



MODEL 1196
XLR

HYDRAULIC COVERAGE

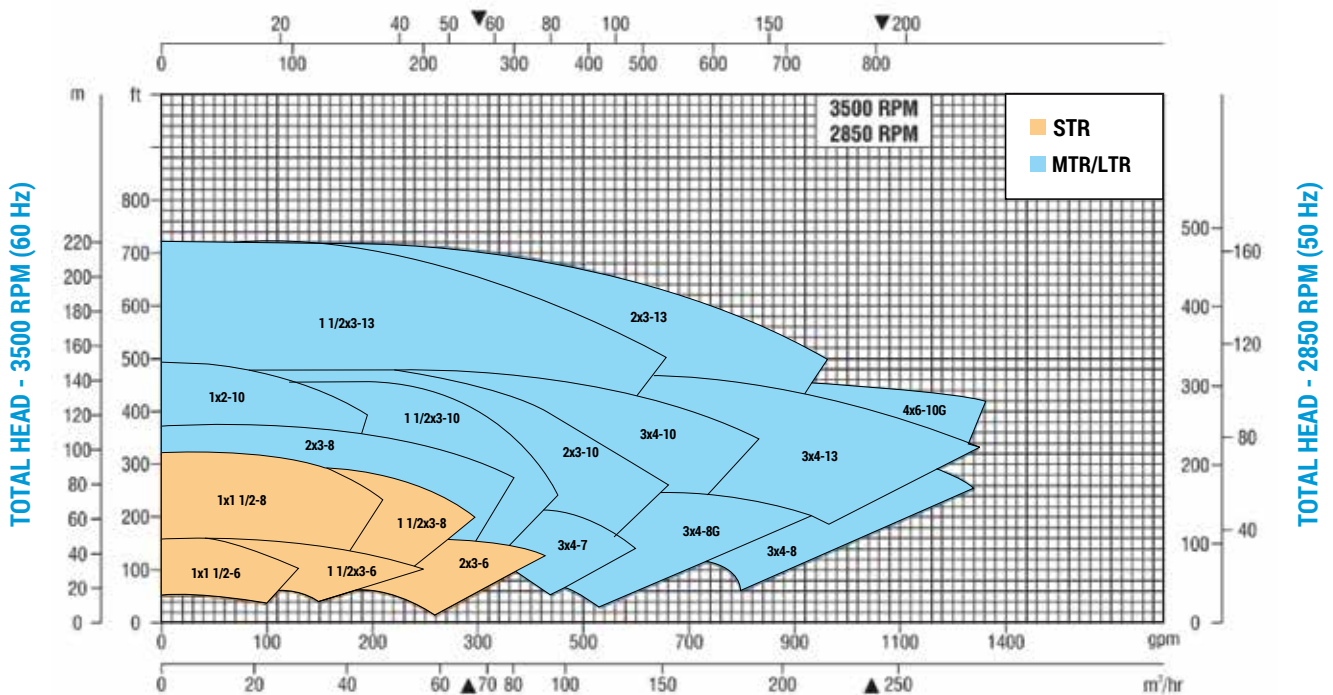
CAPACITY - 1450 RPM (50 Hz)



CAPACITY - 1750 RPM (60 Hz)

S - SCALE CHANGE

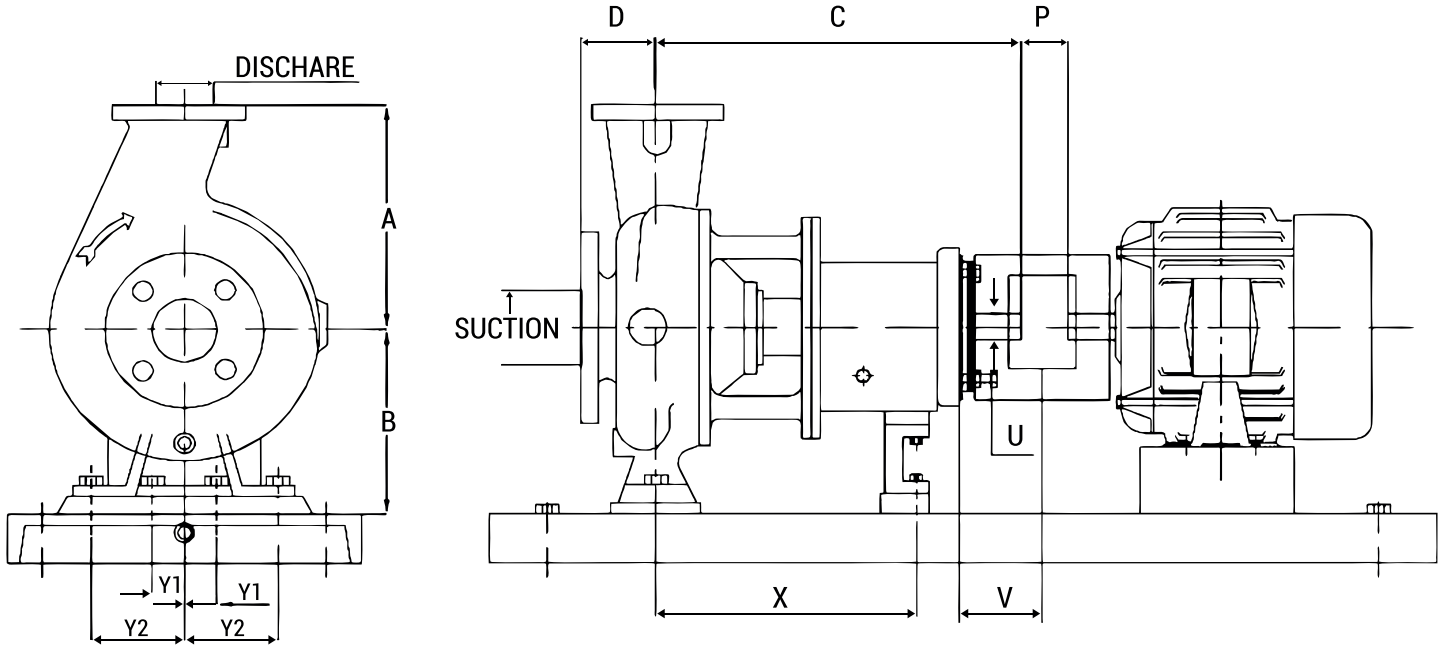
CAPACITY - 2850 RPM (50 Hz)



CAPACITY - 3500 RPM (60 Hz)

S - SCALE CHANGE

DIMENSIONS



Pump Frame	Pump Size	ANSI Designation	Discharge Size	Suction Size	A	B	C	D	Y1	Y2	X	H	P	U	V	Bare Pump Weight LBS.	
STR	1x1.5-6	AA	1	1.5	6.5 (165)	5.25 (133)	13.5 (343)	4 (102)	0	3 (76)	7.25 (184)	5/8 (16)	3.75 (95)	0.875 (22)	2 (50)	85	
	1.5 3-6	AB	1.5	3												94	
	2x3-6	AC	2	3												96	
	1x1.5-8	AA	1	1.5												102	
	1.5x3-8	AB	1.5	3												110	
MTR / LTR	3x4-7	A70	3	4	11 (280)	8.25 (210)	19.5 (495)	4 (102)	3.625 (92)	4.875 (124)	12.5 (318)	5/8 (16)	3.75 (95)	1.125 (28.5) MTR	2.625 (67)	222	
	2x3-8	A60	2	3	9.5 (242)											222	
	3x4-8	A70	3	4	11 (280)											222	
	3x4-8G	A70	3	4	11 (280)											204	
	1x2-10	A05	1	2	8.5 (216)											222	
	1.5x3-10	A50	1.5	3	8.5 (216)											232	
	2x3-10	A60	2	3	9.5 (242)											266	
	3x4-10	A70	3	4	11 (280)											276	
	3x4-10H	A40	3	4	12.5 (318)											308	
	4x6-10	A80	4	6	13.5 (343)											1.875 (47.6) LTR	
	4x6-10G	A80	4	6	13.5 (343)												248
	4x6-10H	A80	4	6	13.5 (343)												278
	1.5x3-13	A20	1.5	3	10.5 (267)												334
	2.x3-13	A30	2	3	11.5 (292)												410
3x4-13	A40	3	4	12.5 (318)	560												
4x6-13	A80	4	6	13.5 (343)	670												
XLR	6x8-13	A90	6	8	16 (406)	14.5 (368)	27.875 (708)	6 (152)	4.5 (114)	8 (203)	18.75 (476)	7/8 (22)	5.25 (135)	2.375 (60)	4 (100)	610	
	8x10-13	A100	8	10	18 (457)											740	
	6x8-15	A110	6	8	18 (457)											710	
	8x10-15	A120	8	10	19 (483)											850	
	8x10-15G	A120	8	10	19 (483)											850	
	8x10-16H	A120	8	10	19 (483)											650	
	4x6-17	A105	4	6	16 (406)											730	
	6x8-17	A110	6	8	18 (457)											830	
	8x10-17	A120	8	10	19 (483)											830	

All Dimensions in inches (mm). Not to be used for construction.