



"A Trusted Partner in Pump Solutions"

RST SERIES END-SUCTION STAINLESS STEEL PUMPS



RST701 / RST702

RST SERIES CLOSE COUPLED CENTRIFUGAL

This series of centrifugal pumps are designed for continuous duty performance. The pumps are manufactured in welded 304 SS for reduced corrosion and - as a standard - are fitted with a ceramic / carbon graphite / EPDM mechanical seal.

They are single stage end suction centrifugal pumps close coupled to NEMA standard motors with enclosed impellers for maximum efficiencies.

Motors are NEMA 56J industry standard and are available in ODP and TEFC enclosures.

- Inlet & Outlet Connections: NPT
- Flow Rate: **RST701** - 62 GPM max.
RST702 - 105 GPM max.
- Pressure: **RST701** - 51 PSI max.
RST702 - 47 PSI max.
- Pump Metallurgy: 304 Stainless Steel
- Impeller Type: Enclosed
- Impeller Diameter: 5.75" max.
- Standard Mechanical Seal: Ceramic / Carbon Graphite / EPDM
- Upgrade Options: Carbon/Ceramic/Viton, Sic/sic/EPDM, sic/sic/Viton

APPLICATIONS:

- Chiller Systems
- Spray Systems
- Filtration Systems
- Washing / Cleaning
- Liquid Transfer
- Water Circulation

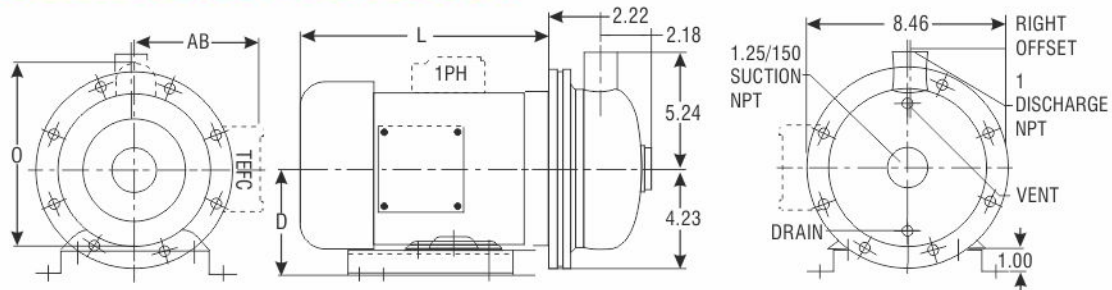
PUMP FEATURES:

- Size: **RST701** - 1.25" x 1.00" (suction x discharge)
RST702 - 1.50" x 1.25" (suction x discharge)

MOTOR FEATURES:

- Horsepower Range: **RST701** - 0.5hp to 3.0hp
RST702 - 1.5hp to 5.0hp
- Enclosures Available: ODP and TEFC
- Hertz: 60
- Speed: 3600 RPM
- Motor Voltages Available: 1 Phase 115/230 V
3 Phase 208-230/460 V
3 Phase 575 V

DIMENSIONAL DRAWING



RST701 with 1 PHASE 56J 3600 RPM TEFC Motor

MOTOR DIMENSIONS NEMA 56J FRAME 3600RPM

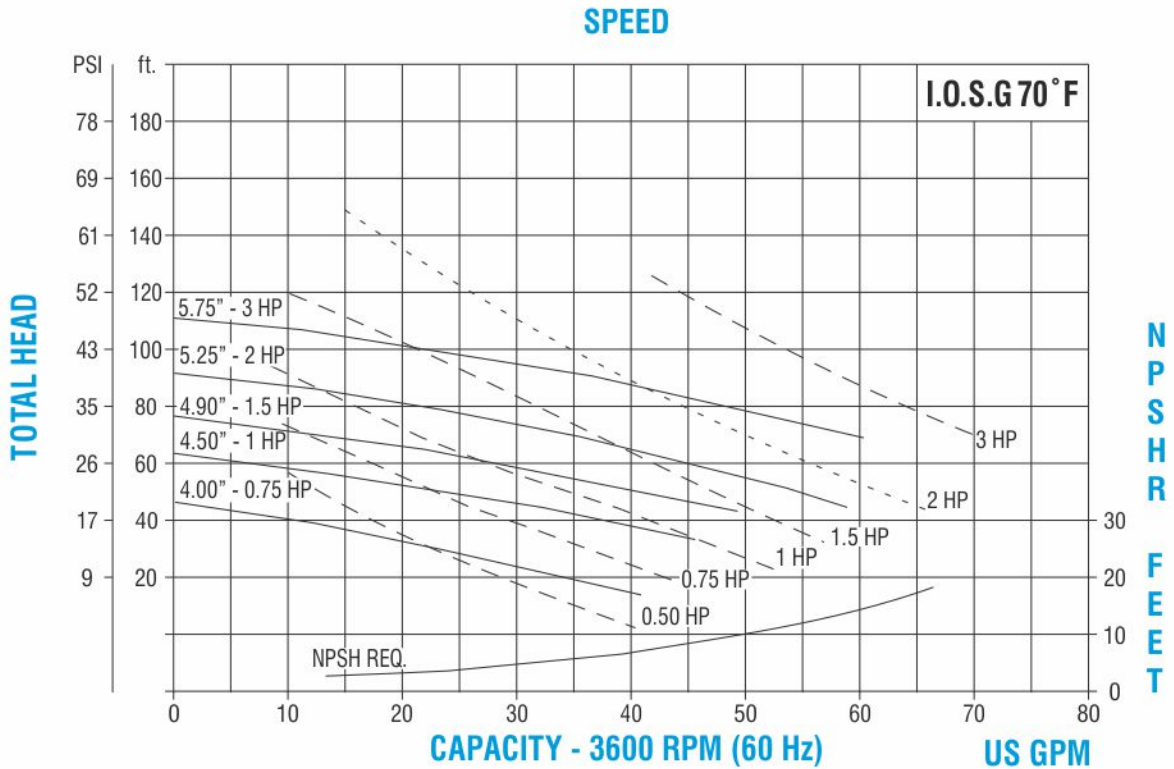
| HP | FRAME | TYPE | 1PH | | | | 3PH | | | |
|-----|-------|------|-------|------|------|------|-------|------|------|------|
| | | | L | O | D | AB | L | O | D | AB |
| .50 | 56J | ODP | 8.37 | 8.00 | 3.50 | 3.25 | 8.37 | 6.50 | 3.50 | 3.25 |
| .75 | 56J | ODP | 8.37 | 8.00 | 3.50 | 3.25 | 8.37 | 6.50 | 3.50 | 3.25 |
| 1.0 | 56J | ODP | 8.37 | 8.00 | 3.50 | 3.25 | 8.37 | 6.50 | 3.50 | 3.25 |
| 1.5 | 56J | ODP | 8.87 | 8.00 | 3.50 | 3.25 | 8.87 | 6.50 | 3.50 | 3.25 |
| 2.0 | 56J | ODP | 8.87 | 8.00 | 3.50 | 3.25 | 8.87 | 6.50 | 3.50 | 3.25 |
| 3.0 | 56J | ODP | 9.37 | 8.00 | 3.50 | 3.25 | 9.37 | 6.50 | 3.50 | 3.25 |
| .50 | 56J | TEFC | 12.00 | 8.13 | 4.50 | 5.31 | 9.43 | 7.04 | 4.50 | 5.31 |
| .75 | 56J | TEFC | 12.00 | 8.13 | 4.50 | 5.31 | 9.43 | 7.04 | 4.50 | 5.31 |
| 1.0 | 56J | TEFC | 13.18 | 8.13 | 4.50 | 5.31 | 9.43 | 7.04 | 4.50 | 5.31 |
| 1.5 | 56J | TEFC | 13.18 | 8.13 | 4.50 | 5.31 | 9.43 | 7.04 | 4.50 | 5.31 |
| 2.0 | 56J | TEFC | 14.36 | 8.13 | 4.50 | 5.31 | 10.61 | 7.04 | 4.50 | 5.31 |
| 3.0 | 56J | TEFC | 14.75 | 8.13 | 4.50 | 5.31 | 11.30 | 7.04 | 4.50 | 5.31 |

All Dimensions are in inches. Pumps must only be installed in the Horizontal Position.

PERFORMANCE CURVE

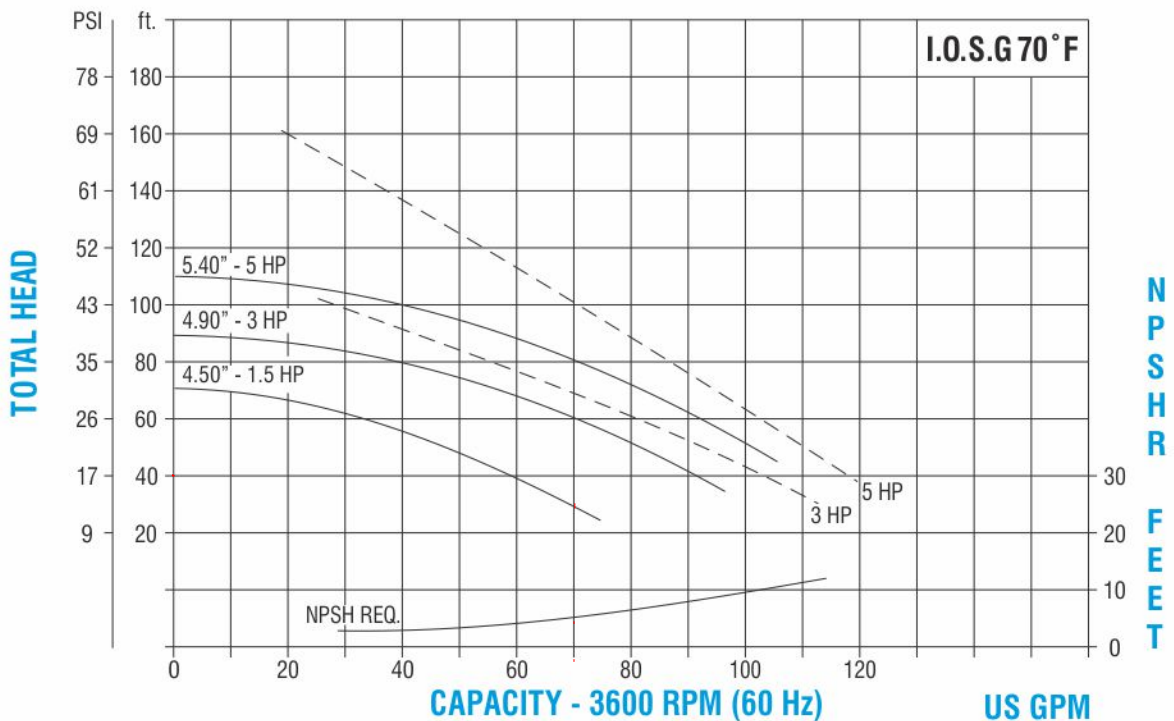
Pump Size: (Inlet x Outlet x Max. Impeller Diameter) 1.25"x1.0"x5.75"

Impeller Type: Enclosed

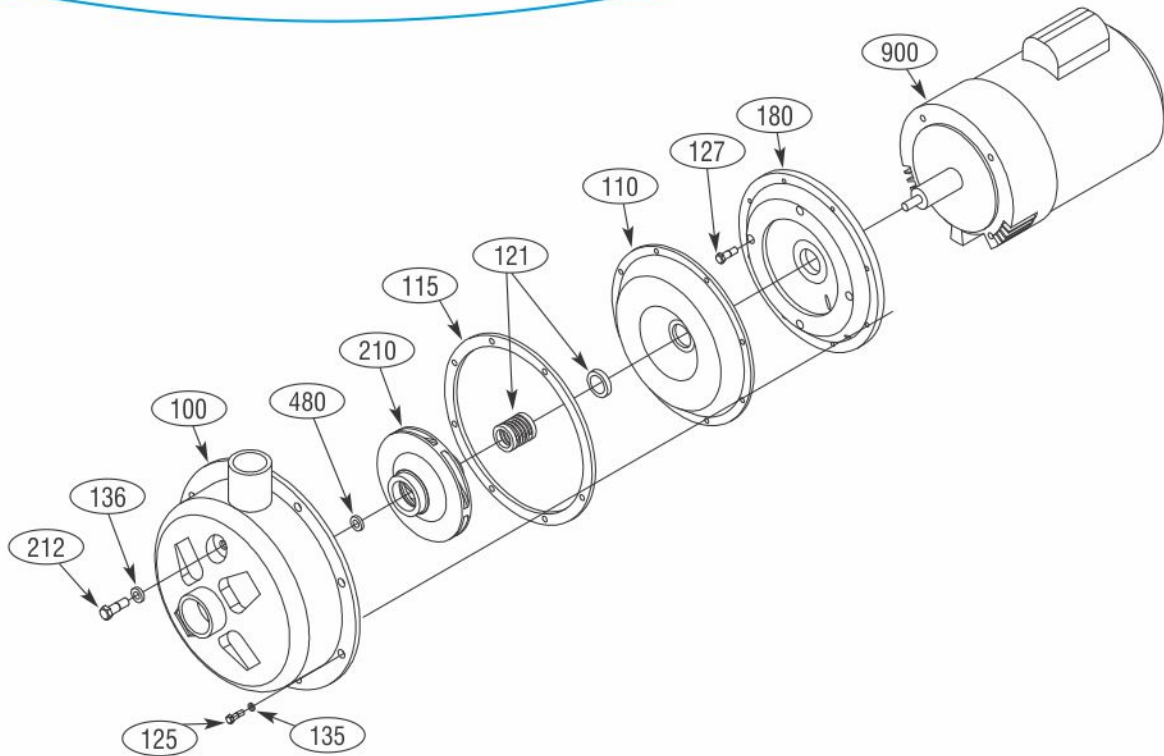


Pump Size: (Inlet x Outlet x Max. Impeller Diameter) 1.50"x1.25"x5.4"

Impeller Type: Enclosed



EXPLODED VIEW



| PART NO. | PART NAME | MATERIAL | NO. FOR 1 UNIT |
|----------|-----------------|----------------------------------|----------------|
| 100 | Casing | SS 304 | 1 |
| 110 | Seal Plate | SS 304 | 1 |
| 115 | O-Ring | EPDM / Viton | 1 |
| 121 | Mechanical Seal | Carbon Graphite / Ceramic / EPDM | 1 |
| 125 | Bolt | Stainless Steel | 8 |
| 127 | Bolt | Stainless Steel | 4 |
| 135 | Washer | SS 304 | 8 |
| 136 | Washer | Ss304 | 2 |
| 180 | Bracket | Aluminum | 1 |
| 210 | Impeller | SS 304 | 1 |
| 212 | Plug | Stainless Steel | 2 |
| 480 | Impeller Nut | SS 304 | 1 |
| 900 | Motor | - | 1 |



"A Trusted Partner in Pump Solutions"

1320 Britannia Road East
Mississauga, Ontario, Canada. L4W 1C8

Phone: (905) 461-9617 | Fax: (905) 461-9618
Toll Free: 1-866-217-PUMP (7867)
Email: sales@rotechpumps.com | www.rotechpumps.com