

"A Trusted Partner in Pump Solutions"



50Hz

VERTICAL MULTISTAGE CENTRIFUGAL PUMPS

Available with IEC ELECTRIC MOTORS

CONTENT

GENERAL DATA

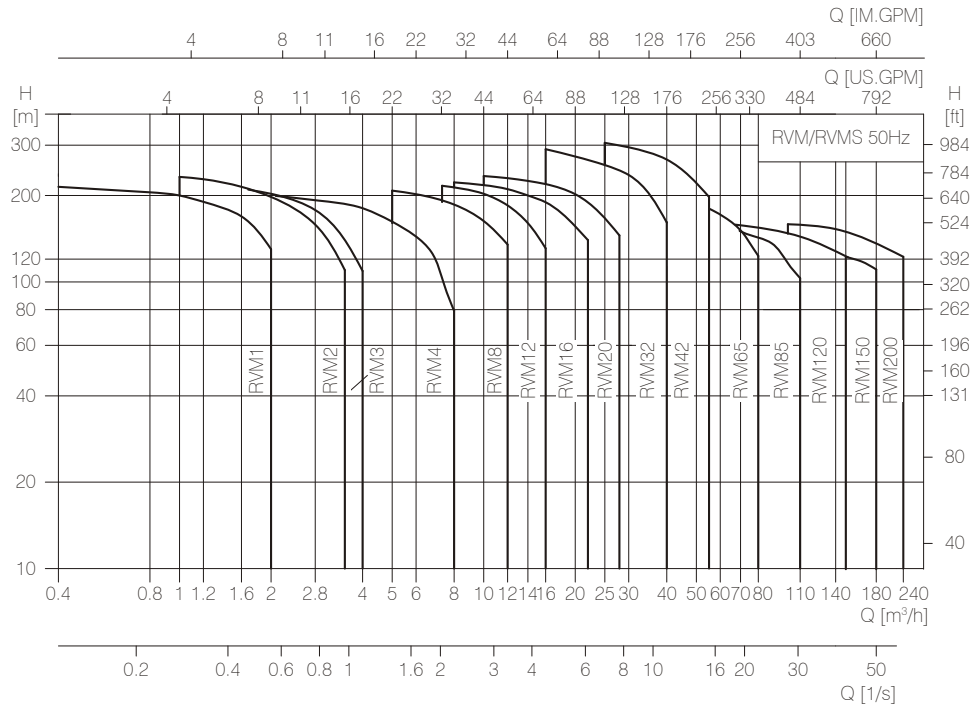
| | |
|--------------------------|---|
| Performance Scope | 1 |
| Product Range | 1 |
| Pump : Basic Information | 2 |
| Max. Working Pressure | 3 |
| Max. Ambient Temperature | 3 |
| Curve Illustration | 4 |
| Performance Curve | 5 |
| Min. Inlet Pressure NPSH | 5 |
| Operation in Parallel | 5 |
| Material | 6 |

PERFORMANCE CURVES & TECHNICAL DATA

| | |
|-------------------|-------|
| RVM/RVMS1, 50Hz | 10-11 |
| RVM/RVMS2, 50Hz | 12-13 |
| RVM/RVMS3, 50Hz | 14-15 |
| RVM/RVMS4, 50Hz | 16-17 |
| RVM/RVMS8, 50Hz | 18-19 |
| RVM/RVMS12, 50Hz | 20-21 |
| RVM/RVMS16, 50Hz | 22-23 |
| RVM/RVMS20, 50Hz | 24-25 |
| RVM/RVMS32, 50Hz | 26-27 |
| RVM/RVMS42, 50Hz | 28-29 |
| RVM/RVMS65, 50Hz | 30-31 |
| RVM/RVMS85, 50Hz | 32-33 |
| RVM/RVMS120, 50Hz | 34-35 |
| RVM/RVMS150, 50Hz | 36-37 |
| RVM/RVMS200, 50Hz | 38-39 |

GENERAL DATA

PERFORMANCE SCOPE



PRODUCT RANGE

| DESCRIPTION | RVM1 | RVM2 | RVM3 | RVM4 | RVM8 | RVM12 | RVM16 | RVM20 | RVM32 | RVM42 | RVM65 | RVM85 | RVM120 | RVM150 | RVM200 |
|------------------------|----------------|-----------|----------|----------|----------|---------|---------|----------|----------|----------|----------|-----------|-----------|--------|-----------|
| Rated Flow [m³/h] | 1 | 2 | 3 | 4 | 8 | 12 | 16 | 20 | 32 | 42 | 65 | 85 | 120 | 150 | 200 |
| Rated Flow [1/s] | 0.28 | 0.56 | 0.83 | 1.1 | 2.2 | 3.3 | 4.4 | 5.6 | 8.9 | 11.7 | 18 | 24 | 33 | 41.6 | 55.6 |
| Flow Range [m³/h] | 0.4-2 | 1-3.5 | 1.2-4 | 1.5-7 | 5-12 | 7-16 | 8-22 | 10-28 | 16-40 | 25-55 | 30-80 | 50-110 | 60-150 | 80-180 | 100-240 |
| Flow Range [1/s] | 0.11-0.56 | 0.28-0.97 | 0.33-1.1 | 0.42-1.9 | 1.4-3.3 | 1.9-4.4 | 2.2-6.1 | 2.8-7.8 | 4.4-11.1 | 6.9-15.3 | 8.3-22.2 | 13.8-30.5 | 16.7-41.7 | 22-50 | 27.8-66.7 |
| Max. Pressure [bar] | 21 | 23 | 22 | 21 | 21 | 22 | 22 | 23 | 29 | 30 | 22 | 17 | 16 | 16 | 16 |
| Motor Power [kW] | 0.37-2.2 | 0.37-3 | 0.37-3 | 0.37-4 | 0.75-7.5 | 1.5-11 | 2.2-15 | 1.1-18.5 | 1.5-30 | 3.0-45 | 4.0-45 | 5.5-45 | 11-75 | 11-75 | 18.5-110 |
| Temperature Range [°C] | -15°C ~ +120°C | | | | | | | | | | | | | | |
| Max. Efficiency [%] | 44 | 46 | 54 | 57 | 62 | 63 | 66 | 69 | 73 | 75 | 76 | 77 | 74 | 73 | 79 |
| Pump Type | | | | | | | | | | | | | | | |
| RVM | • | • | • | • | • | • | • | • | • | • | • | • | • | • | • |
| RVMS | • | • | • | • | • | • | • | • | • | • | • | • | • | • | • |
| RVM Pipe Connection | | | | | | | | | | | | | | | |
| DIN Flange | DN25 | DN25 | DN25 | DN32 | DN40 | DN50 | DN50 | DN50 | DN65 | DN80 | DN100 | DN100 | DN125 | DN125 | DN150 |
| Oval Flange | G1 | G1 | G1 | G1 1/4 | G1 1/2 | | | | | | | | | | |
| RVMS Pipe Connection | | | | | | | | | | | | | | | |
| DIN Flange | DN25 | DN25 | DN25 | DN32 | DN40 | DN50 | DN50 | DN50 | DN65 | DN80 | DN100 | DN100 | DN125 | DN125 | DN150 |
| Cutting Ferrule Joint | DN32 | DN32 | DN32 | DN32 | DN50 | DN50 | DN50 | DN50 | | | | | | | |
| Pipe Thread | ZG1 1/4 | ZG1 1/4 | ZG1 1/4 | ZG1 1/4 | ZG2 | ZG2 | ZG2 | ZG2 | | | | | | | |
| Oval Flange | G1 | G1 | G1 | G1 1/4 | G1 1/4 | | | | | | | | | | |

GENERAL DATA

PUMP

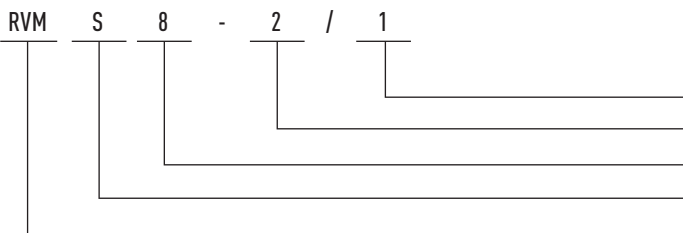
RVM/RVMS/RVP is vertical non-self priming multistage centrifugal pump, which is driven by a standard electric motor. The motor output shaft directly connects with the pump shaft through a coupling. The pressure-resistant cylinder and flow passage components are fixed between pump head and inlet & outlet section with bottom at the same plane. This kind of pump can be equipped with an intelligent protector to effectively prevent it from dry-run, out-of-phase and overload.

OPERATION CONDITIONS

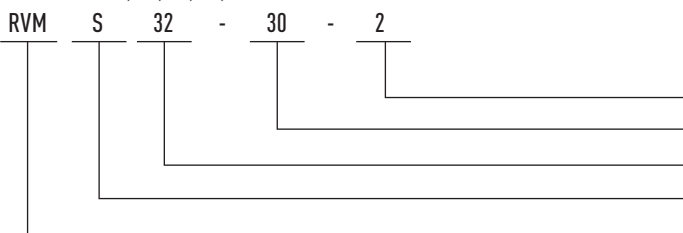
- Thin, clean, non-flammable & non-explosive liquid containing no solid granules and fibres.
- Liquid temperature:
Normal Temperature type: -15°C~+70°C,
Hot Water type: -15°C~+120°C
- Ambient temperature: upto +40°C
- Altitude: upto 1000m

IDENTIFICATION OF PUMP

RVM/RVMS1, 2, 3, 4, 8, 16 and 20



RVM/RVMS32, 42, 65, 85, 120 & 150



APPLICATION

RVM/RVMS is a kind of multifunctional products. It can be used to convey various medium from tap water to industrial liquid at different temperature and with different flow rate and pressure. RVM type is applicable to conveying non-corrosive liquid, while RVMS is suitable for slightly corrosive liquid.

- Water supply: Water filter & transport in Waterworks, boosting of main pipeline, boosting in High-Rise buildings.
- Industrial Boosting: Process flow water system, cleaning system, high-pressure washing system, fire-fighting system.
- Industrial Liquid Conveying: Cooling & air-conditioning system, Boiler water supply & condensing system, machine-associated purpose, acids & alkali.
- Water treatment: Ultrafiltration system, reverse osmosis system, distillation system, separator, swimming pool.
- Irrigation: Farmland irrigation, spray irrigation, dripping irrigation.

MOTOR

- Full-enclosed air-blast two pole standard motor
- Protection class: IP55
- Insulation class: F
- Standard Voltage: 50Hz: 1 X 220-230 / 240V
3 X 220-220 / 346-380V
3 X 220-240 / 380-415V
3 X 380-415V

Number of impeller
Stage

Rated Flow(m³/h)

Flow passage components are of Stainless Steel 304 or 316

Light vertical multistage centrifugal pump

Number of impeller
Stage X 10

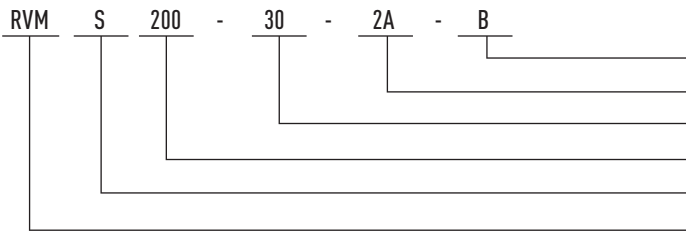
Rated Flow(m³/h)

Flow passage components are of Stainless Steel 304 or 316

Light vertical multistage centrifugal pump

GENERAL DATA

RVM/RVMS200



One Small Impeller B
 Two Small Impellers A
 Stage X 10
 Rated Flow (m³/h)
 Flow passage components are of S.S. 304 or 316
 Light vertical multistage centrifugal pump

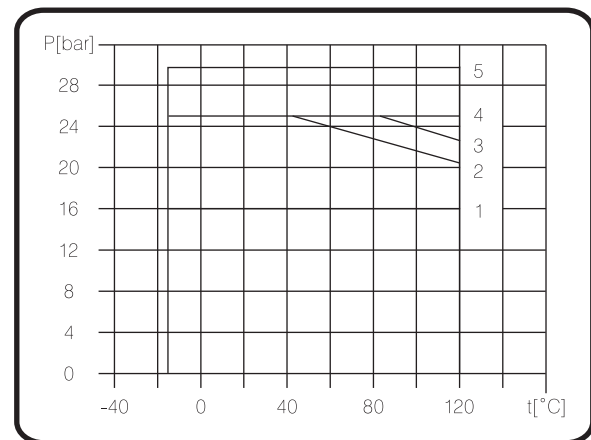
MAX WORKING PRESSURE

| MODEL | Curve Number |
|-----------------------------------------------------------------------|--------------|
| RVM 1, 2, 3, 4 Flange | 2 |
| RVM (S) 1, 2, 3, 4 Oval Flange | 1 |
| RVMS 1,2,3,4 (Flange, Cutting Ferrule Joint, Pipe Thread) | 2 |
| RVM8, 12, 16, 20 Flange | 3 |
| RVM (S) 8 Oval Flange | 1 |
| RVMS8, 12, 16, 20 (Flange, Cutting Ferrule Joint, Pipe Thread) | 3 |
| RVM/RVMS32 | |
| 32-10-1 ~ 32-70 | 1[*] |
| 32-80-2 ~ 32-120 | 4[*] |
| 32-130 ~ 32-160 | 5 |
| RVM/RVMS42 | |
| 42-10-1 ~ 42-60 | 1[*] |
| 42-70-2 ~ 42-90 | 4[*] |
| 42-100-2 ~ 42-130-2 | 5 |
| RVM/RVMS65 | |
| 65-10-1 ~ 65-50 | 1[**] |
| 65-60-2 ~ 65-80-1 | 4 |
| RVM/RVMS85 | |
| 85-10-1 ~ 85-50-2 | 1[**] |
| 85-50 ~ 85-60 | 4 |
| RVM, RVMS 120, 150, 200 | 6 |

* For Curve5, need to specify especially;

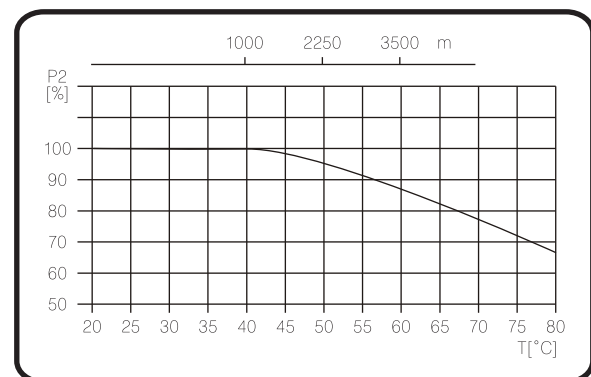
** For curve 4, need to specify especially

The Following figure shows the limitation of pressure and temperature, which shall be in the scope as shown in the figure.



MAX. AMBIENT TEMPERATURE

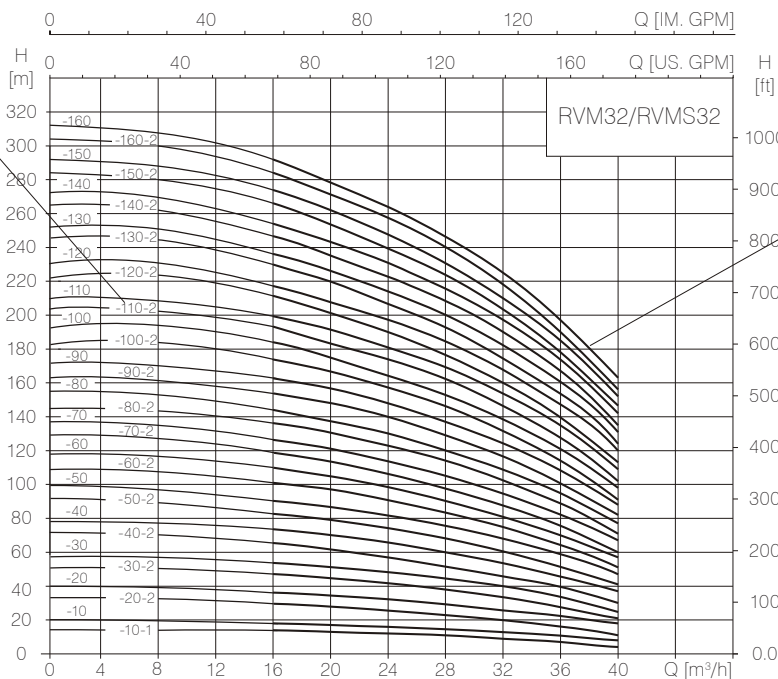
When the pump operates under ambient temperature higher than 40°C or under altitude higher than 1000m, because of low air density and poor cooling effects, the motor output power P2 will be decreased to certain extent. If the pump is operated under the above said conditions, it should be equipped with motor of higher power.



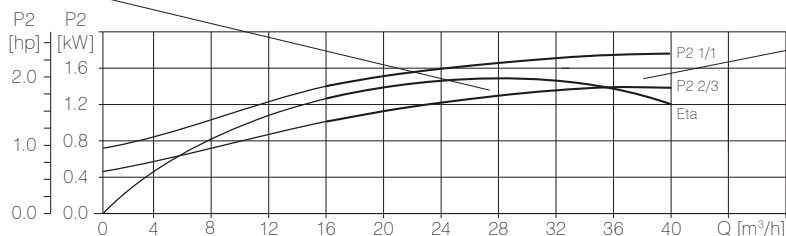
GENERAL DATA

CURVE ILLUSTRATION

Stage
First Number:
Stage x 10
Second Digit:
Number of small impeller

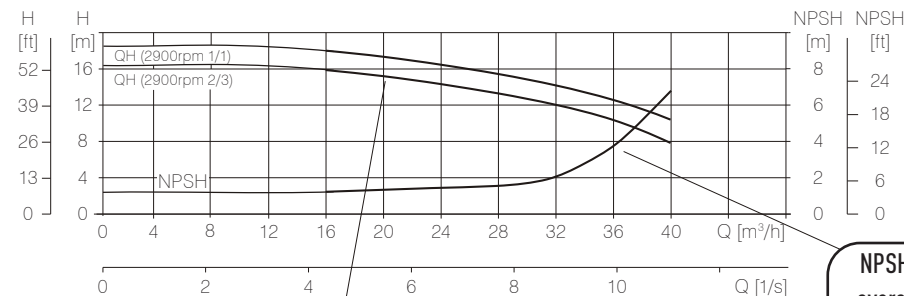


The power curve represents the input power of each stage, which is divided into integrate impeller type (1/1) and the type with small impeller (2/3)



Pump Q-H curve, the thickened line represents recommended performance region

Eta curve represents efficiency of the pump, For the pump equipped with small impeller, its efficiency will be 2% lower than that shown by the curve.



The Q-H curve of each stage, represents integrate impeller type (1/1) and the type equipped with small impeller (2/3)

NPSH curve expresses the average value of all curves of this series. A safety margin of 0.5m shall be taken into consideration when making selection.

GENERAL DATA

PERFORMANCE CURVE

Following Conditions are suitable for the Performance curves shown below:

1. All curves are based on the measured values of constant motor speed 2900 rpm or 2950 rpm.

2. Curve tolerance in conformity with ISO9906 Annex A.

3. Measurement is done with 20 °C air-free water, kinematic viscosity of 1mm²/sec.

4. The operation of pump shall refer to the performance region indicated by the thickened curve to prevent overheating due to small flow rate or overload of motor due to too large flow rate.

MINIMUM INLET PRESSURE NPSH

In case that the pressure in pump is lower than the steam pressure used to convey liquid, the cavitations will take place. To avoid cavitations, a minimum pressure at the inlet side of the pump shall be guaranteed. The maximum suction stroke can be calculated with following formula:

$$H = P_b \times 10.2 - NPSH - H_f - H_v - H_s$$

P_b = atmosphere pressure [bar]

(can be set as 1 bar)

In a closed system, P_b means system pressure [bar] NPSH=Net positive suction head [m]

(It can be read out from the point of possible max. flow rate shown on NPSH curve)

NPSH curve)

H_f = Pipeline loss at the inlet [m]

H_v = Steam pressure [m]

H_s = Safety margin = Minimum 0.5m delivery head

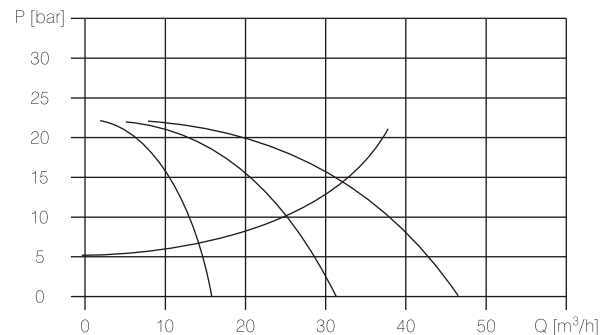
If the calculated result H is positive, the pump may run under the max. Suction stroke H .

In case the calculated result H is negative, a delivery head of min. Inlet pressure is necessary.

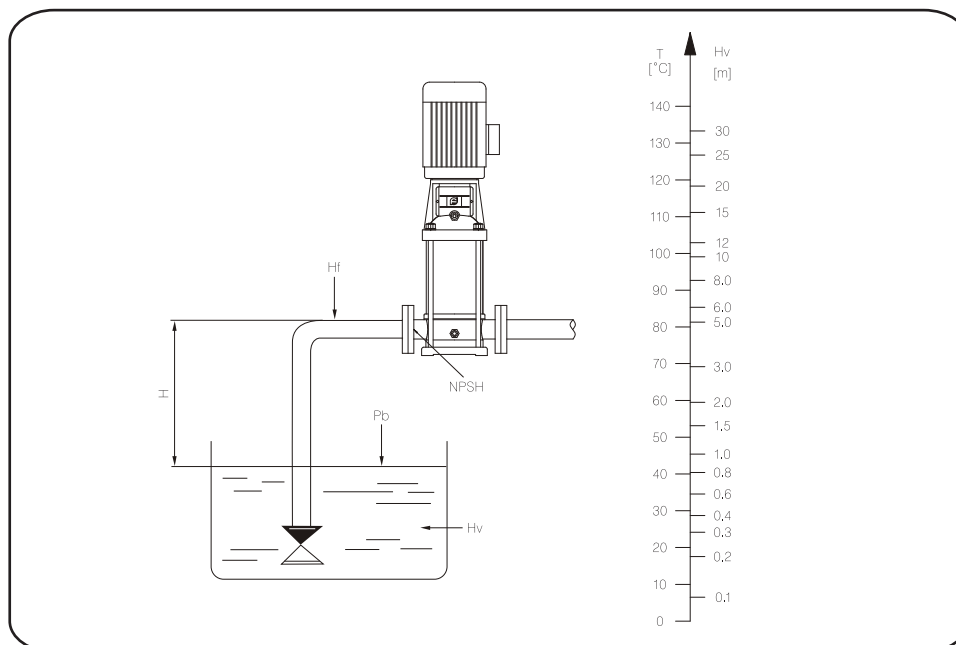
OPERATION IN PARALLEL

Connecting several pumps in parallel running will benefit much more than running a single large pump.

- Applicable to different working states necessary in a variable flow system.
- Increasing the possibility of water supply when the pump is in failure. Because in case of pump failure, only part of the system flow is effected.



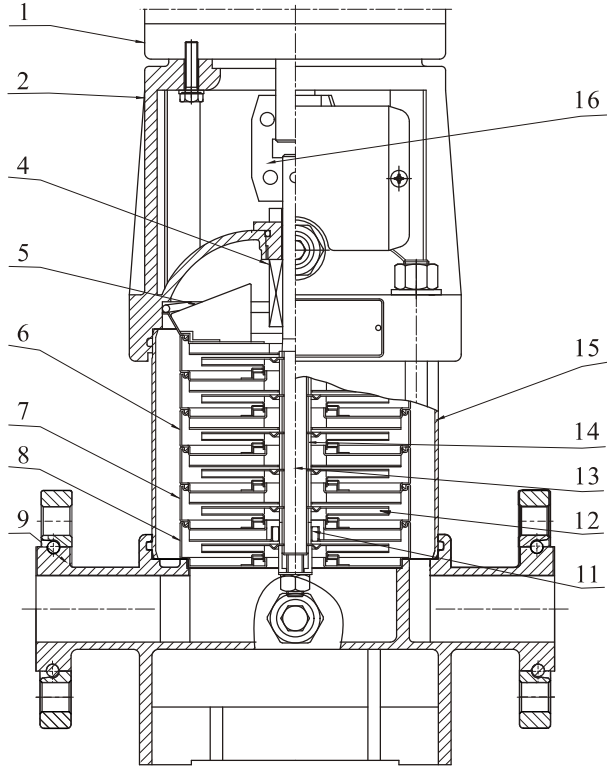
Two pumps or more can be connected in parallel running if necessary.



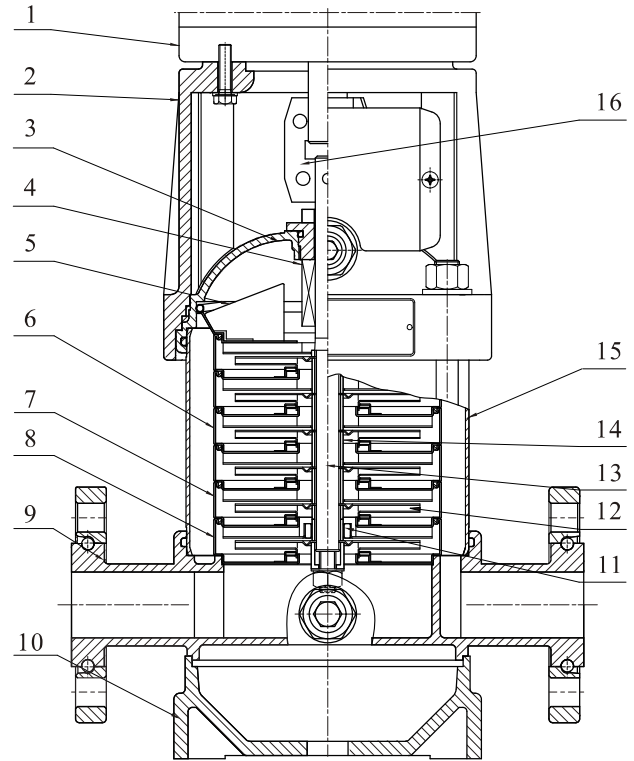
Check and ensure that the pump is not at cavitation state

GENERAL DATA

SECTIONAL DRAWING RVM/RVMS1, 2, 3, 4



RVM



RVMS

MATERIAL OF CONSTRUCTION RVM/RVMS1, 2, 3, 4

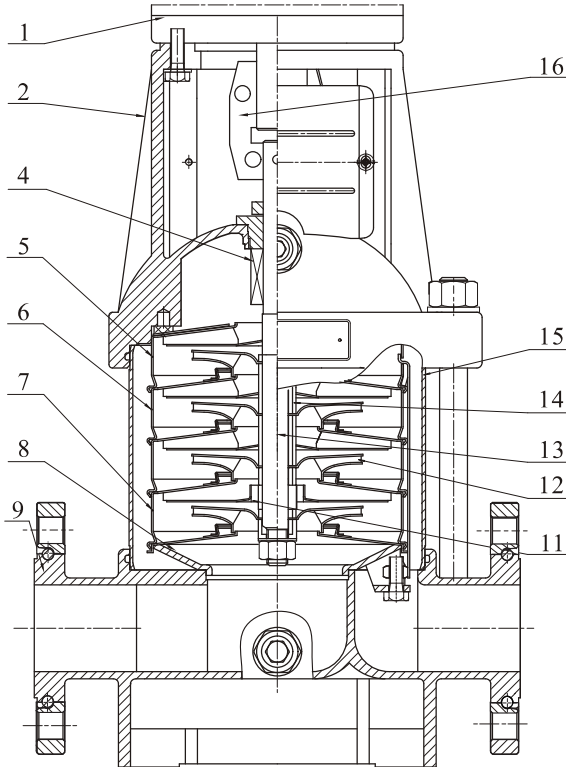
| NO. | Name | Material | AISI/ASTM |
|-----|------------------|------------------|-----------------|
| 1 | Motor | | |
| 2 | Pump Head | Cast Iron | ASTM A48 CL25 |
| 4 | Mechanical Seal | | |
| 5 | Top Diffuser | Stainless Steel | AISI304 |
| 6 | Diffuser | Stainless Steel | AISI304 |
| 7 | Support Diffuser | Stainless Steel | AISI304 |
| 8 | Inducer | Stainless Steel | AISI304 |
| 11 | Bearing | Tungsten Carbide | |
| 12 | Impeller | Stainless Steel | AISI304 |
| 13 | Shaft | Stainless Steel | AISI304/AISI316 |
| 14 | Impeller Sleeve | Stainless Steel | AISI304 |
| 15 | Cylinder | Stainless Steel | AISI304 |
| 16 | Coupling | Carbon Steel | |

| NO. | Name | Material | AISI/ASTM |
|-------------|------------------------|-----------------|---------------|
| RVMS | | | |
| 3 | Seal Base | Stainless Steel | AISI304 |
| 9 | Inlet & Outlet Chamber | Stainless Steel | AISI304 |
| 10 | Base Plate | Cast Iron | ASTM A48 CL25 |

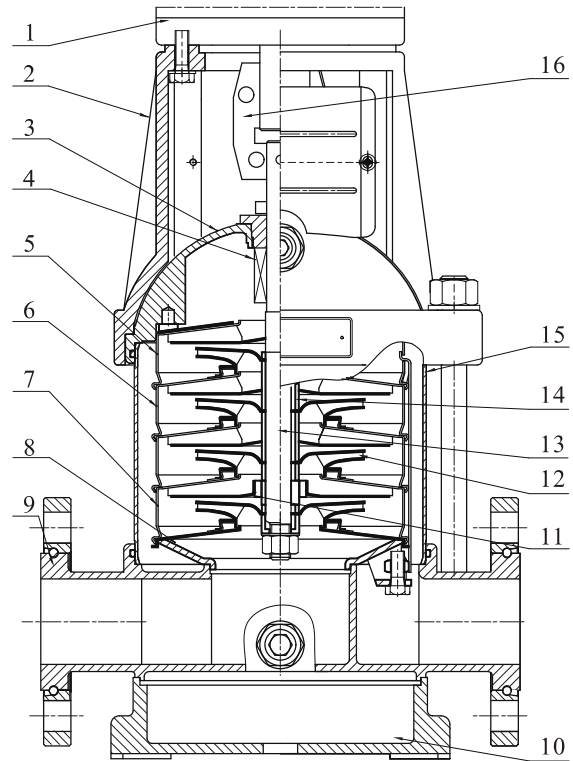
| NO. | Name | Material | AISI/ASTM |
|------------|------------------------|-----------|---------------|
| RVM | | | |
| 9 | Inlet & Outlet Chamber | Cast Iron | ASTM A48 CL25 |

GENERAL DATA

SECTIONAL DRAWING RVM/RVMS8, 12, 16, 20



RVM



RVMS

MATERIAL OF CONSTRUCTION RVM/RVMS8, 12, 16, 20

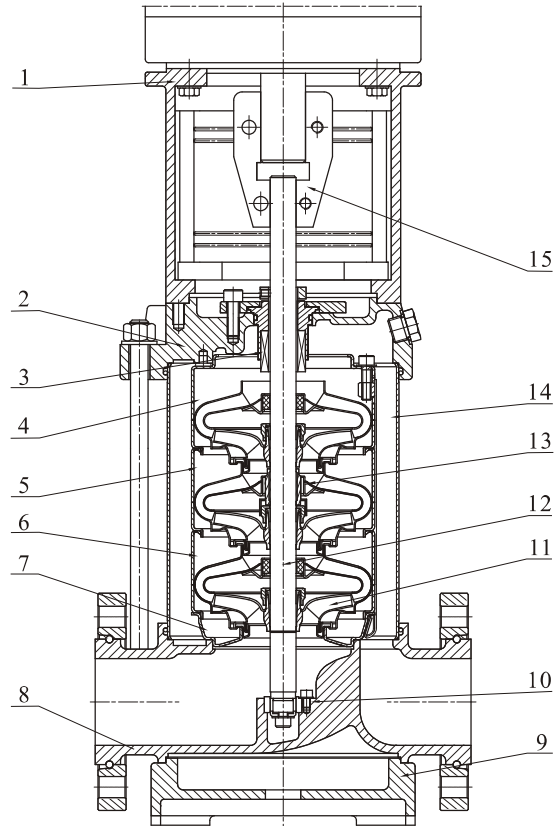
| NO. | Name | Material | AISI/ASTM |
|-----|------------------|-----------------|-----------------|
| 1 | Motor | | |
| 2 | Pump Head | Cast Iron | ASTM A48 CL25 |
| 4 | Mechanical Seal | SIC/SIC/VITON | |
| 5 | Top Diffuser | Stainless Steel | AISI304 |
| 6 | Diffuser | Stainless Steel | AISI304 |
| 7 | Support Diffuser | Stainless Steel | AISI304 |
| 8 | Inducer | Stainless Steel | AISI304 |
| 11 | Bearing | Stainless Steel | |
| 12 | Impeller | Stainless Steel | AISI304 |
| 13 | Shaft | Stainless Steel | AISI304/AISI316 |
| 14 | Impeller Sleeve | Stainless Steel | AISI304 |
| 15 | Cylinder | Stainless Steel | AISI304 |
| 16 | Coupling | Carbon Steel | |

| NO. | Name | Material | AISI/ASTM |
|-------------|------------------------|-----------------|---------------|
| RVMS | | | |
| 3 | Seal Base | Stainless Steel | AISI304 |
| 9 | Inlet & Outlet Chamber | Stainless Steel | AISI304 |
| 10 | Base Plate | Cast Iron | ASTM A48 CL25 |

| NO. | Name | Material | AISI/ASTM |
|------------|------------------------|-----------|---------------|
| RVM | | | |
| 9 | Inlet & Outlet Chamber | Cast Iron | ASTM A48 CL25 |

GENERAL DATA

SECTIONAL DRAWING RVM/RVMS32, 42, 65, 85



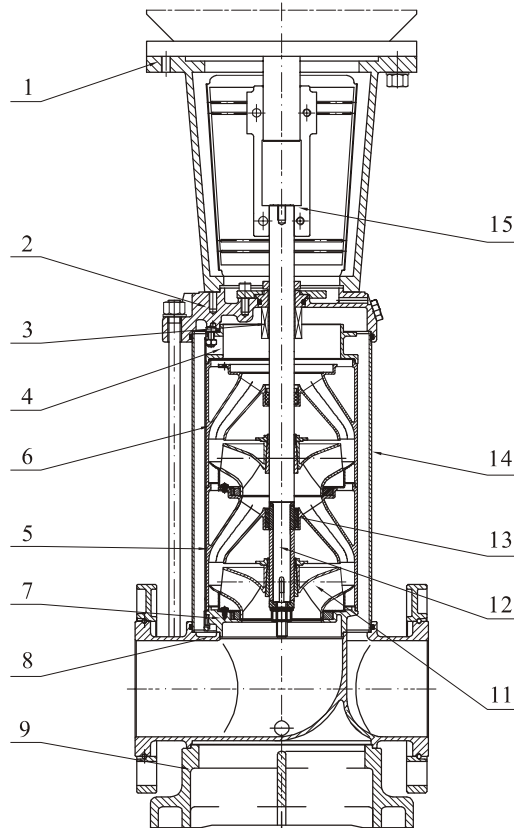
MATERIAL OF CONSTRUCTION RVM/RVMS32, 42, 65, 85

| NO. | Name | Material | AISI/ASTM |
|-----|-------------------|-----------------|----------------------------|
| 1 | Bracket | Cast Iron | ASTM A48 CL25 |
| 3 | Mechanical Seal | SIC/SIC/VITON | |
| 4 | Top Diffuser | Stainless Steel | AISI304 |
| 5 | Support Diffuser | Stainless Steel | AISI304 |
| 6 | Diffuser | Stainless Steel | AISI304 |
| 7 | Inducer | Stainless Steel | AISI304 |
| 9 | Base Plate | Cast Iron | ASTM A48 CL25 |
| 10 | Bottom Bearing | Stainless Steel | |
| 11 | Impeller | Stainless Steel | AISI304 |
| 12 | Shaft | Stainless Steel | AISI316/AISI304 AISI431 |
| 13 | Immediate Bearing | Stainless Steel | |
| 14 | Cylinder | Stainless Steel | AISI304 |

| NO. | Name | Material | AISI/ASTM |
|-------------|------------------------|-----------------|---------------|
| 15 | Coupling | Carbon Steel | |
| | Rubber Parts | NBR | |
| RVMS | | | |
| 2 | Pump Head | Cast Iron | ASTM A48 CL30 |
| 8 | Inlet & Outlet Chamber | Cast Iron | ASTM A48 CL30 |
| RVM | | | |
| 2 | Pump Head | Stainless Steel | AISI304 |
| 8 | Inlet & Outlet Chamber | Stainless Steel | AISI304 |

GENERAL DATA

SECTIONAL DRAWING RVM/RVMS120, 150, 200



MATERIAL OF CONSTRUCTION RVM/RVMS120, 150, 200

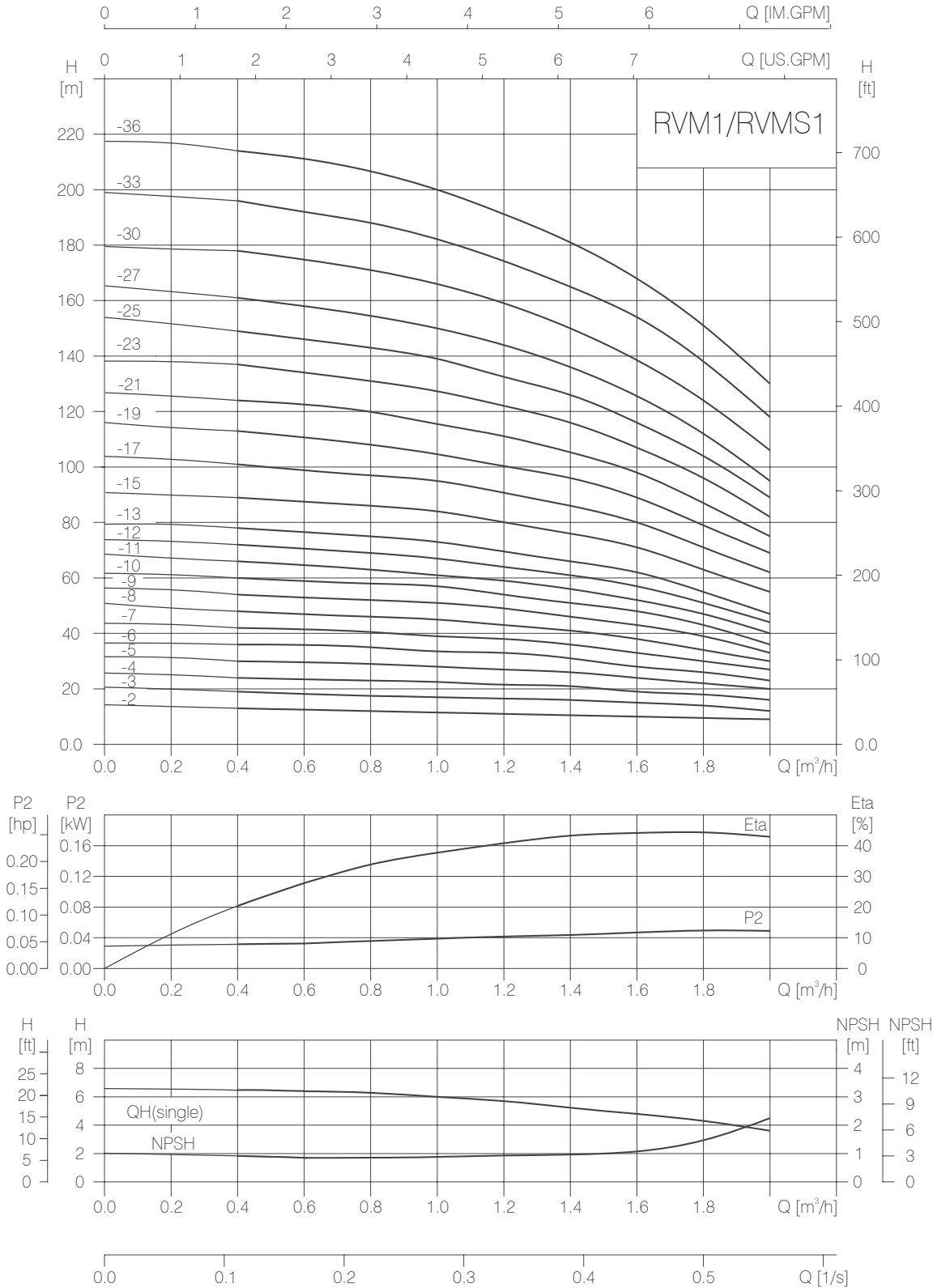
| NO. | Name | Material | AISI/ASTM |
|-----|------------------|-----------------|-----------------|
| 1 | Bracket | Cast Iron | ASTM A48 CL25 |
| 3 | Mechanical Seal | SIC/SIC/VITON | |
| 4 | Discharge | Stainless Steel | AISI304 |
| 5 | Support Diffuser | Stainless Steel | AISI304 |
| 6 | Diffuser | Stainless Steel | AISI304 |
| 7 | Inducer | Stainless Steel | AISI304 |
| 9 | Base Plate | Cast Iron | ASTM 80-55-06 |
| 11 | Impeller | Stainless Steel | AISI304 |
| 12 | Shaft | Stainless Steel | AISI304 |
| 13 | Bearing | Stainless Steel | AISI304/AISI316 |
| 14 | Cylinder | Stainless Steel | AISI304 |
| 15 | Coupling | Carbon Steel | |
| | Rubber Parts | NBR | |

| NO. | Name | Material | AISI/ASTM |
|-------------|------------------------|-----------------|---------------|
| RVM | | | |
| 2 | Pump Head | Cast Iron | ASTM 80-55-06 |
| 8 | Inlet & Outlet Chamber | Cast Iron | ASTM 80-55-06 |
| RVMS | | | |
| 2 | Pump Head | Stainless Steel | AISI304 |
| 8 | Inlet & Outlet Chamber | Stainless Steel | AISI304 |

RVM/RVMS1, 50Hz

PERFORMANCE CURVE

2900rpm



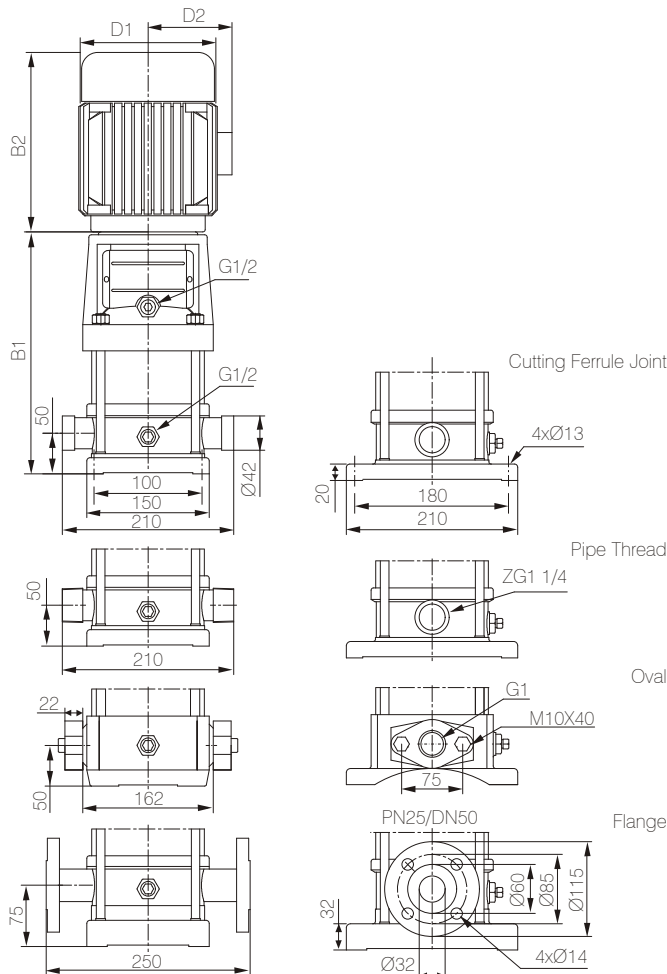
TECHNICAL DATA

PERFORMANCE TABLE

| MODEL | DRIVING MOTOR | | Q (m ³ /h) | 0.4 | 0.6 | 0.8 | 1.0 | 1.2 | 1.4 | 1.6 | 1.8 | 2.0 |
|---------|---------------|------|--------------------------|-----|------|------|------|------|------|-----|-----|-----|
| | (kW) | (hp) | | | | | | | | | | |
| RVM1-2 | 0.37 | 0.5 | | 13 | 12.5 | 12 | 11.5 | 11 | 10.5 | 10 | 9.5 | 9 |
| RVM1-3 | 0.37 | 0.5 | | 19 | 18 | 17.5 | 17 | 16.5 | 16 | 15 | 14 | 12 |
| RVM1-4 | 0.37 | 0.5 | | 24 | 23.5 | 23 | 22.5 | 21.5 | 21 | 19 | 18 | 16 |
| RVM1-5 | 0.37 | 0.5 | | 30 | 29.6 | 29 | 28 | 27 | 26 | 24 | 22 | 20 |
| RVM1-6 | 0.37 | 0.5 | H | 36 | 35.5 | 35 | 33.5 | 33 | 31 | 28 | 26 | 23 |
| RVM1-7 | 0.37 | 0.5 | [m] | 42 | 41 | 40.5 | 39 | 38 | 36 | 33 | 30 | 27 |
| RVM1-8 | 0.55 | 0.75 | | 48 | 47 | 46 | 45 | 43 | 41 | 38 | 34 | 30 |
| RVM1-9 | 0.55 | 0.75 | | 54 | 53 | 52 | 51 | 49 | 46 | 43 | 39 | 33 |
| RVM1-10 | 0.55 | 0.75 | | 60 | 59 | 58 | 57 | 54 | 51 | 48 | 43 | 36 |
| RVM1-11 | 0.55 | 0.75 | | 66 | 65 | 63 | 61 | 59 | 56 | 52 | 47 | 40 |
| RVM1-12 | 0.75 | 1 | | 72 | 71 | 69 | 67 | 64 | 61 | 57 | 51 | 44 |

| MODEL | DRIVING MOTOR | | Q (m ³ /h) | 0.4 | 0.6 | 0.8 | 1.0 | 1.2 | 1.4 | 1.6 | 1.8 | 2.0 |
|---------|---------------|------|--------------------------|-----|-----|-----|-----|-----|-----|-----|-----|-----|
| | (kW) | (hp) | | | | | | | | | | |
| RVM1-13 | 0.75 | 1 | | 78 | 77 | 75 | 73 | 69 | 66 | 62 | 55 | 47 |
| RVM1-15 | 0.75 | 1 | | 89 | 88 | 86 | 84 | 79 | 76 | 71 | 63 | 55 |
| RVM1-17 | 1.1 | 1.5 | | 101 | 99 | 97 | 95 | 89 | 86 | 80 | 71 | 62 |
| RVM1-19 | 1.1 | 1.5 | | 113 | 110 | 108 | 106 | 99 | 96 | 89 | 79 | 69 |
| RVM1-21 | 1.1 | 1.5 | H | 124 | 122 | 120 | 117 | 110 | 106 | 98 | 87 | 75 |
| RVM1-23 | 1.1 | 1.5 | [m] | 137 | 133 | 131 | 128 | 121 | 116 | 107 | 96 | 82 |
| RVM1-25 | 1.5 | 2 | | 149 | 145 | 143 | 139 | 131 | 126 | 116 | 104 | 89 |
| RVM1-27 | 1.5 | 2 | | 161 | 157 | 155 | 150 | 141 | 136 | 125 | 112 | 95 |
| RVM1-30 | 1.5 | 2 | | 178 | 175 | 171 | 166 | 157 | 150 | 139 | 124 | 106 |
| RVM1-33 | 2.2 | 3 | | 196 | 192 | 188 | 183 | 173 | 165 | 154 | 137 | 118 |
| RVM1-36 | 2.2 | 3 | | 214 | 210 | 205 | 200 | 190 | 181 | 169 | 151 | 130 |

PUMP DIMENSIONS



SIZE AND WEIGHT

| MODEL | SIZE (mm) | | | | | WEIGHT (kg) |
|---------|-----------|-----|-------|-----|-----|-------------|
| | B1 | B2 | B1+B2 | D1 | D2 | |
| RVM1-2 | 258 | 210 | 468 | 148 | 117 | 20 |
| RVM1-3 | 276 | 210 | 486 | 148 | 117 | 20 |
| RVM1-4 | 294 | 210 | 504 | 148 | 117 | 21 |
| RVM1-5 | 312 | 210 | 522 | 148 | 117 | 21 |
| RVM1-6 | 330 | 210 | 540 | 148 | 117 | 22 |
| RVM1-7 | 348 | 210 | 558 | 148 | 117 | 23 |
| RVM1-8 | 366 | 210 | 576 | 148 | 117 | 24 |
| RVM1-9 | 384 | 210 | 594 | 148 | 117 | 25 |
| RVM1-10 | 402 | 210 | 612 | 148 | 117 | 26 |
| RVM1-11 | 420 | 210 | 630 | 148 | 117 | 26 |
| RVM1-12 | 448 | 245 | 693 | 170 | 142 | 29 |
| RVM1-13 | 466 | 245 | 711 | 170 | 142 | 30 |
| RVM1-15 | 502 | 245 | 747 | 170 | 142 | 31 |
| RVM1-17 | 538 | 245 | 783 | 170 | 142 | 33 |
| RVM1-19 | 574 | 245 | 819 | 170 | 142 | 34 |
| RVM1-21 | 610 | 245 | 855 | 170 | 142 | 35 |
| RVM1-23 | 646 | 245 | 891 | 170 | 142 | 36 |
| RVM1-25 | 692 | 290 | 982 | 190 | 155 | 42 |
| RVM1-27 | 728 | 290 | 1018 | 190 | 155 | 43 |
| RVM1-30 | 782 | 290 | 1072 | 190 | 155 | 45 |
| RVM1-33 | 836 | 290 | 1126 | 190 | 155 | 49 |
| RVM1-36 | 890 | 290 | 1180 | 190 | 155 | 51 |

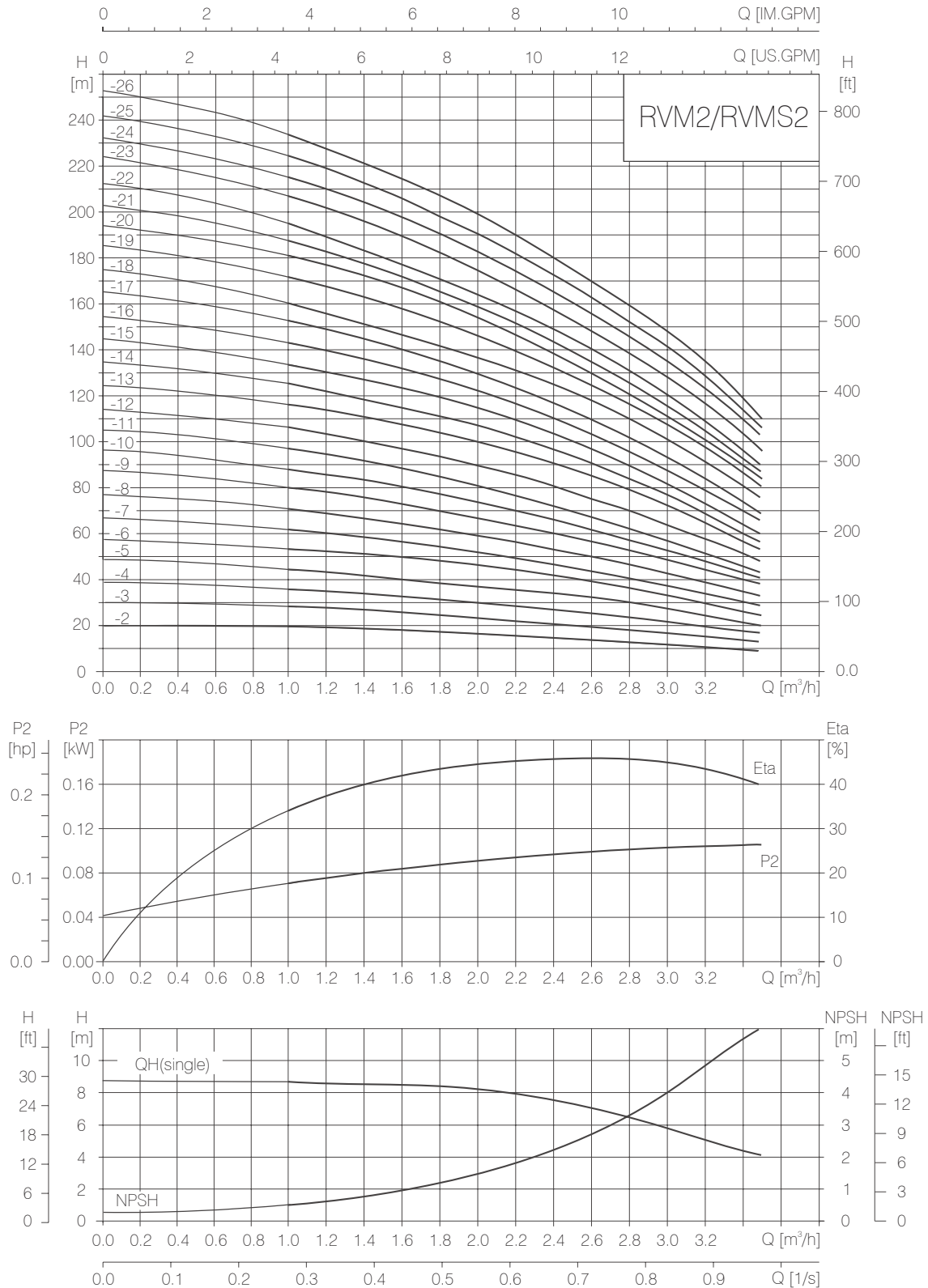
RVM1-25 ~ 1-36 sub-connection of pipeline has no oval flange connection.

The overall dimensions of the single-phase motor and explosion-proof motor are a little different. Please contact us for details.

RVM/RVMS2, 50Hz

PERFORMANCE CURVE

2900rpm

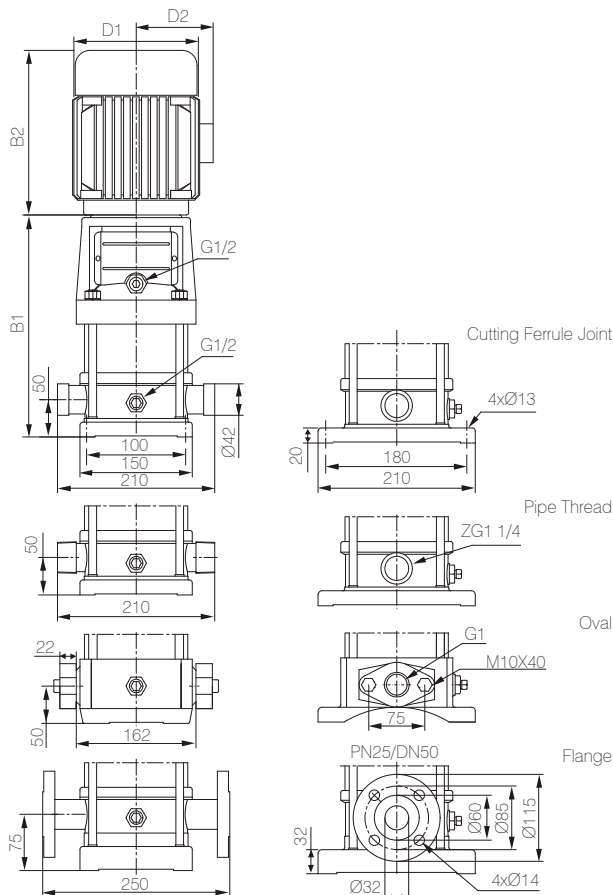


TECHNICAL DATA

PERFORMANCE TABLE

| MODEL | DRIVING MOTOR | | Q (m ³ /h) | 1 | 1.2 | 1.6 | 2.0 | 2.4 | 2.8 | 3.2 | 3.5 |
|---------|---------------|------|--------------------------|-----|-----|-----|-----|-----|-----|-----|-----|
| | (kW) | (hp) | | | | | | | | | |
| RVM2-2 | 0.37 | 0.5 | | 18 | 17 | 16 | 15 | 13 | 12 | 10 | 8 |
| RVM2-3 | 0.37 | 0.5 | | 27 | 26 | 24 | 22 | 20 | 18 | 15 | 12 |
| RVM2-4 | 0.55 | 0.75 | | 36 | 35 | 33 | 30 | 26 | 24 | 20 | 16 |
| RVM2-5 | 0.55 | 0.75 | | 45 | 43 | 40 | 37 | 33 | 30 | 24 | 20 |
| RVM2-6 | 0.75 | 1 | | 53 | 52 | 50 | 45 | 40 | 36 | 30 | 24 |
| RVM2-7 | 0.75 | 1 | H | 63 | 61 | 57 | 52 | 47 | 41 | 35 | 28 |
| RVM2-9 | 1.1 | 1.5 | [m] | 80 | 78 | 73 | 67 | 61 | 54 | 45 | 37 |
| RVM2-11 | 1.1 | 1.5 | | 98 | 95 | 89 | 82 | 73 | 64 | 54 | 44 |
| RVM2-13 | 1.5 | 2 | | 116 | 114 | 106 | 98 | 89 | 78 | 65 | 52 |
| RVM2-15 | 1.5 | 2 | | 134 | 130 | 123 | 112 | 100 | 90 | 73 | 60 |
| RVM2-18 | 2.2 | 3 | | 161 | 157 | 148 | 136 | 121 | 108 | 91 | 76 |
| RVM2-22 | 2.2 | 3 | | 197 | 192 | 180 | 165 | 148 | 130 | 110 | 90 |
| RVM2-26 | 3.0 | 4 | | 232 | 228 | 214 | 198 | 179 | 158 | 130 | 110 |

PUMP DIMENSIONS



SIZE AND WEIGHT

| MODEL | SIZE (mm) | | | | | WEIGHT (kg) |
|---------|-----------|-----|-------|-----|-----|-------------|
| | B1 | B2 | B1+B2 | D1 | D2 | |
| RVM2-2 | 258 | 210 | 468 | 148 | 117 | 20 |
| RVM2-3 | 276 | 210 | 486 | 148 | 117 | 20 |
| RVM2-4 | 294 | 210 | 504 | 148 | 117 | 22 |
| RVM2-5 | 312 | 210 | 522 | 148 | 117 | 23 |
| RVM2-6 | 340 | 245 | 585 | 170 | 142 | 26 |
| RVM2-7 | 358 | 245 | 603 | 170 | 142 | 26 |
| RVM2-9 | 394 | 245 | 639 | 170 | 142 | 28 |
| RVM2-11 | 430 | 245 | 675 | 170 | 142 | 29 |
| RVM2-13 | 476 | 290 | 766 | 190 | 155 | 35 |
| RVM2-15 | 512 | 290 | 802 | 190 | 155 | 36 |
| RVM2-18 | 566 | 290 | 856 | 190 | 155 | 41 |
| RVM2-22 | 638 | 290 | 928 | 190 | 155 | 42 |
| RVM2-26 | 720 | 315 | 1035 | 197 | 165 | 51 |

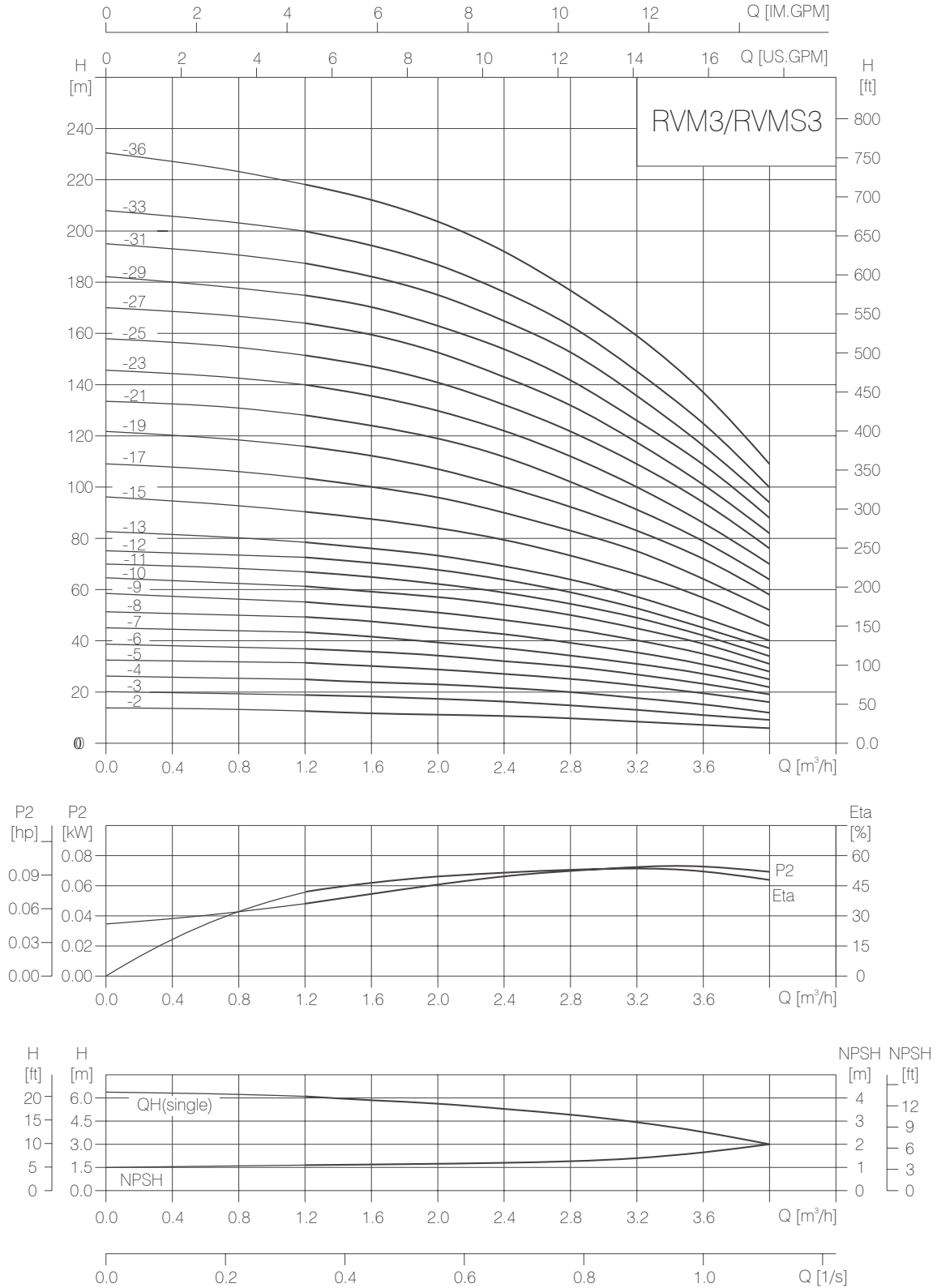
RVM2-18 ~ 2-26 sub-connection of pipeline has no oval flange connection.

The overall dimensions of the single-phase motor and explosion-proof motor are a little different. Please contact us for details.

RVM/RVMS3, 50Hz

PERFORMANCE CURVE

2900rpm



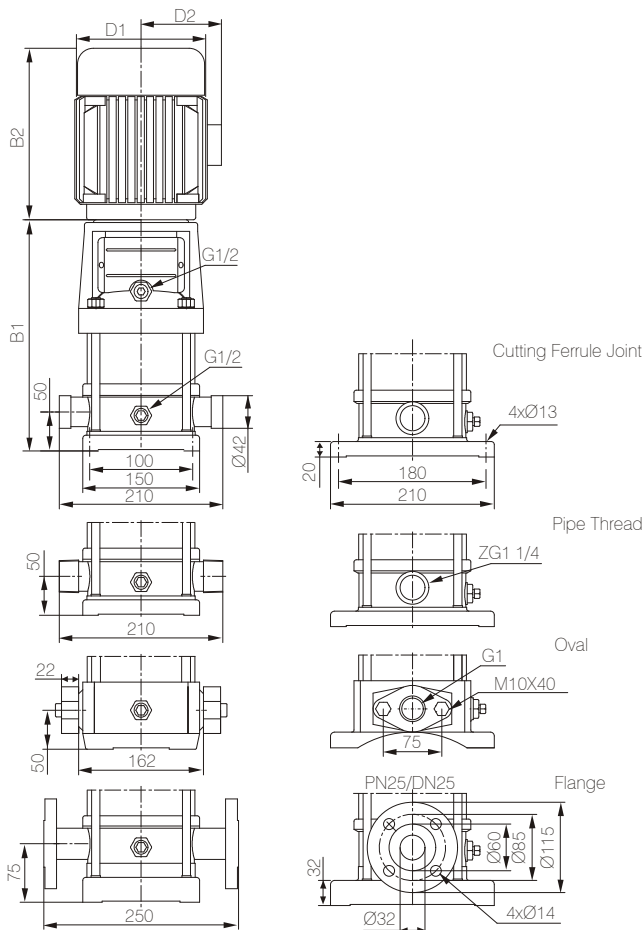
TECHNICAL DATA

PERFORMANCE TABLE

| MODEL | DRIVING MOTOR | | Q (m ³ /h) | 1.2 | 1.6 | 2.0 | 2.4 | 2.8 | 3.0 | 3.2 | 3.6 | 4.0 |
|---------|---------------|------|--------------------------|------|------|------|------|-----|-----|-----|-----|-----|
| | (kW) | (hp) | | | | | | | | | | |
| RVM3-2 | 0.37 | 0.5 | | 12.5 | 11.5 | 11 | 10.5 | 10 | 9 | 8 | 7 | 6 |
| RVM3-3 | 0.37 | 0.5 | | 19 | 18.5 | 17.5 | 16.5 | 15 | 14 | 13 | 11 | 9 |
| RVM3-4 | 0.37 | 0.5 | | 25 | 24 | 23 | 21.5 | 20 | 19 | 18 | 15 | 12 |
| RVM3-5 | 0.37 | 0.5 | | 31 | 30 | 29 | 27 | 25 | 23 | 22 | 19 | 16 |
| RVM3-6 | 0.55 | 0.75 | H | 36 | 35 | 34 | 32 | 30 | 28 | 27 | 23 | 19 |
| RVM3-7 | 0.55 | 0.75 | [m] | 43 | 41 | 39 | 37 | 34 | 32 | 31 | 27 | 22 |
| RVM3-8 | 0.75 | 1 | | 49 | 47 | 45 | 43 | 39 | 37 | 35 | 31 | 25 |
| RVM3-9 | 0.75 | 1 | | 55 | 53 | 51 | 48 | 45 | 42 | 40 | 35 | 28 |
| RVM3-10 | 0.75 | 1 | | 61 | 59 | 57 | 54 | 50 | 47 | 45 | 39 | 31 |
| RVM3-11 | 1.1 | 1.5 | | 67 | 64 | 61 | 58 | 54 | 51 | 49 | 42 | 34 |
| RVM3-12 | 1.1 | 1.5 | | 73 | 70 | 67 | 63 | 58 | 55 | 52 | 45 | 37 |
| RVM3-13 | 1.1 | 1.5 | | 78 | 76 | 73 | 69 | 64 | 60 | 57 | 49 | 40 |

| MODEL | DRIVING MOTOR | | Q (m ³ /h) | 1.2 | 1.6 | 2.0 | 2.4 | 2.8 | 3.0 | 3.2 | 3.6 | 4.0 |
|---------|---------------|------|--------------------------|-----|-----|-----|-----|-----|-----|-----|-----|-----|
| | (kW) | (hp) | | | | | | | | | | |
| RVM3-15 | 1.1 | 1.5 | | 90 | 88 | 84 | 79 | 73 | 69 | 66 | 57 | 46 |
| RVM3-17 | 1.5 | 2 | | 103 | 100 | 96 | 90 | 83 | 79 | 75 | 64 | 52 |
| RVM3-19 | 1.5 | 2 | | 115 | 112 | 107 | 100 | 92 | 88 | 83 | 72 | 58 |
| RVM3-21 | 2.2 | 3 | | 128 | 124 | 119 | 112 | 102 | 98 | 91 | 79 | 64 |
| RVM3-23 | 2.2 | 3 | H | 140 | 135 | 130 | 122 | 112 | 107 | 100 | 86 | 70 |
| RVM3-25 | 2.2 | 3 | [m] | 151 | 147 | 141 | 131 | 122 | 116 | 109 | 94 | 76 |
| RVM3-27 | 2.2 | 3 | | 164 | 159 | 152 | 143 | 132 | 124 | 117 | 101 | 82 |
| RVM3-29 | 2.2 | 3 | | 175 | 170 | 163 | 153 | 142 | 133 | 126 | 109 | 88 |
| RVM3-31 | 3.0 | 4 | | 187 | 182 | 175 | 165 | 153 | 142 | 135 | 116 | 94 |
| RVM3-33 | 3.0 | 4 | | 199 | 194 | 187 | 176 | 163 | 151 | 145 | 125 | 100 |
| RVM3-36 | 3.0 | 4 | | 218 | 212 | 204 | 192 | 178 | 168 | 159 | 137 | 109 |

PUMP DIMENSIONS



SIZE AND WEIGHT

| MODEL | SIZE (mm) | | | | | WEIGHT (kg) |
|---------|-----------|-----|-------|-----|-----|-------------|
| | B1 | B2 | B1+B2 | D1 | D2 | |
| RVM3-2 | 258 | 210 | 468 | 148 | 117 | 20 |
| RVM3-3 | 276 | 210 | 486 | 148 | 117 | 20 |
| RVM3-4 | 294 | 210 | 504 | 148 | 117 | 21 |
| RVM3-5 | 312 | 210 | 522 | 148 | 117 | 21 |
| RVM3-6 | 330 | 210 | 540 | 148 | 117 | 23 |
| RVM3-7 | 348 | 210 | 558 | 148 | 117 | 24 |
| RVM3-8 | 376 | 245 | 621 | 170 | 142 | 27 |
| RVM3-9 | 394 | 245 | 639 | 170 | 142 | 28 |
| RVM3-10 | 412 | 245 | 657 | 170 | 142 | 28 |
| RVM3-11 | 430 | 245 | 675 | 170 | 142 | 29 |
| RVM3-12 | 448 | 245 | 693 | 170 | 142 | 30 |
| RVM3-13 | 466 | 245 | 711 | 170 | 142 | 31 |
| RVM3-15 | 502 | 245 | 747 | 170 | 142 | 32 |
| RVM3-17 | 548 | 290 | 838 | 190 | 155 | 38 |
| RVM3-19 | 584 | 290 | 874 | 190 | 155 | 39 |
| RVM3-21 | 620 | 290 | 910 | 190 | 155 | 42 |
| RVM3-23 | 656 | 290 | 946 | 190 | 155 | 43 |
| RVM3-25 | 692 | 290 | 982 | 190 | 155 | 44 |
| RVM3-27 | 728 | 290 | 1018 | 190 | 155 | 45 |
| RVM3-29 | 764 | 290 | 1054 | 190 | 155 | 46 |
| RVM3-31 | 810 | 315 | 1125 | 197 | 165 | 54 |
| RVM3-33 | 846 | 315 | 1161 | 197 | 165 | 55 |
| RVM3-36 | 900 | 315 | 1215 | 197 | 165 | 57 |

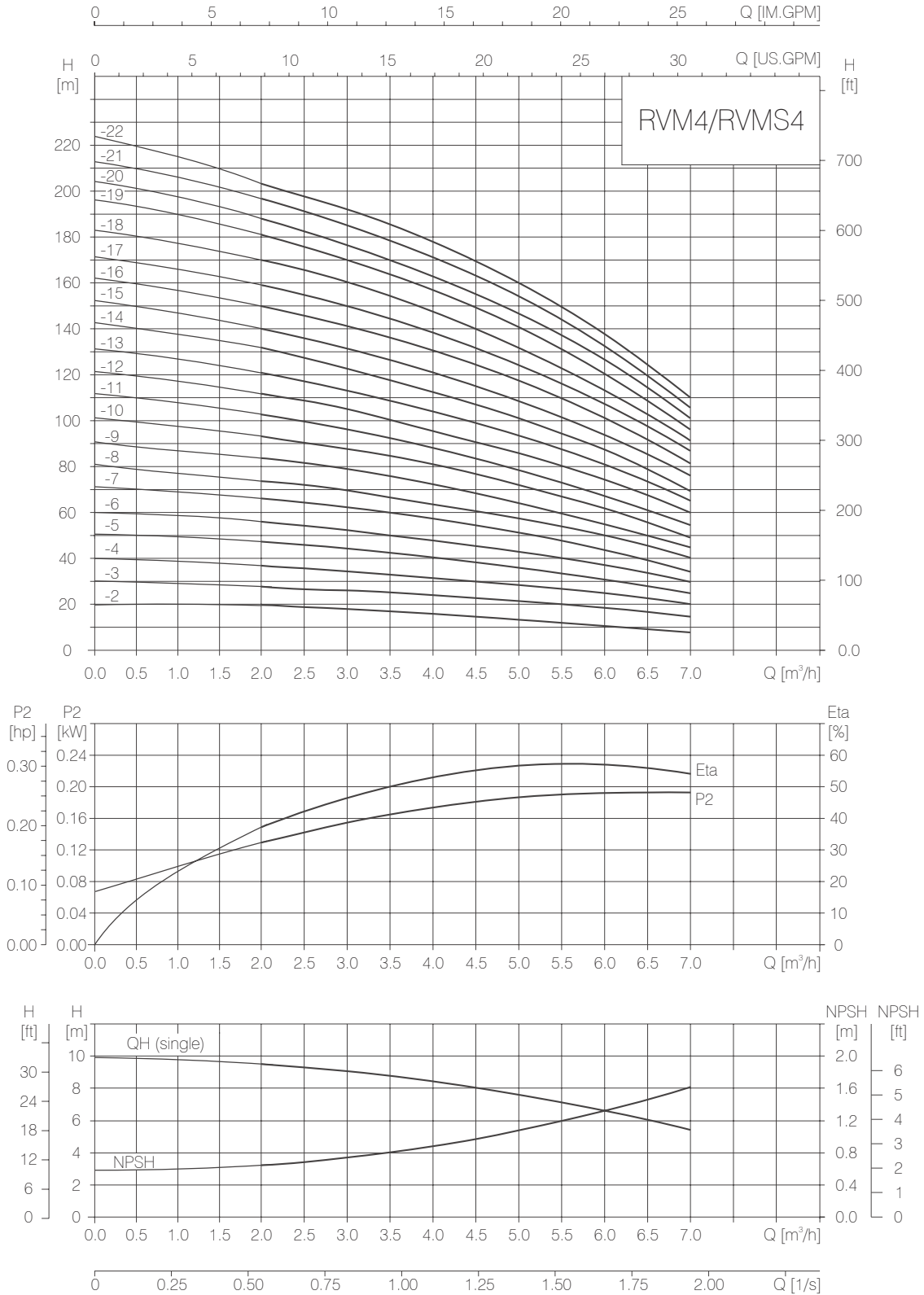
RVM3-25 ~ 3-36 sub-connection of pipeline has no oval flange connection.

The overall dimensions of the single-phase motor and explosion-proof motor are a little different. Please contact us for details.

RVM/RVMS4, 50Hz

PERFORMANCE CURVE

2900RPM



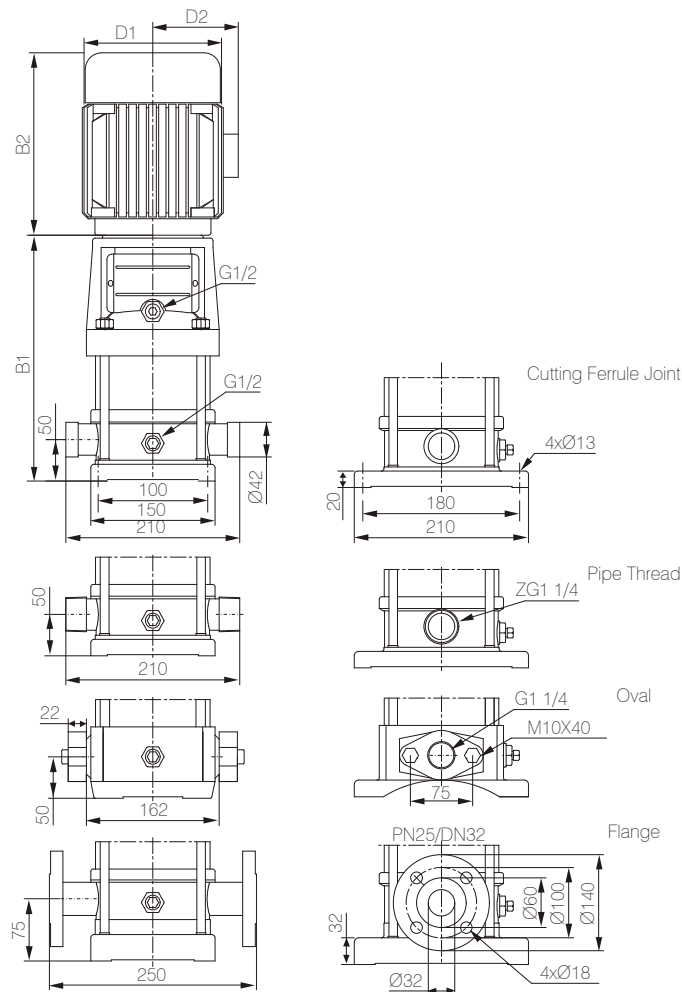
TECHNICAL DATA

PERFORMANCE TABLE

| MODEL | DRIVING MOTOR | | Q (m³/h) | 1.5 | 2.0 | 3.0 | 4.0 | 5.0 | 6.0 | 7.0 |
|--------|---------------|------|-------------|-----|-----|-----|-----|-----|-----|-----|
| | (kW) | (hp) | | | | | | | | |
| RVM4-2 | 0.37 | 0.5 | | 19 | 18 | 17 | 15 | 13 | 10 | 8 |
| RVM4-3 | 0.55 | 0.75 | | 28 | 27 | 26 | 24 | 20 | 18 | 13 |
| RVM4-4 | 0.75 | 1 | H | 38 | 36 | 34 | 32 | 27 | 24 | 19 |
| RVM4-5 | 1.1 | 1.5 | [m] | 47 | 45 | 43 | 40 | 34 | 31 | 23 |
| RVM4-6 | 1.1 | 1.5 | | 56 | 54 | 52 | 48 | 41 | 37 | 28 |
| RVM4-7 | 1.5 | 2 | | 66 | 63 | 61 | 56 | 48 | 43 | 33 |
| RVM4-8 | 1.5 | 2 | | 74 | 72 | 70 | 64 | 55 | 50 | 38 |

| MODEL | DRIVING MOTOR | | Q (m³/h) | 1.5 | 2.0 | 3.0 | 4.0 | 5.0 | 6.0 | 7.0 |
|---------|---------------|------|-------------|-----|-----|-----|-----|-----|-----|-----|
| | (kW) | (hp) | | | | | | | | |
| RVM4-10 | 2.2 | 3 | | 96 | 90 | 87 | 81 | 71 | 62 | 48 |
| RVM4-12 | 2.2 | 3 | | 114 | 108 | 104 | 95 | 85 | 75 | 58 |
| RVM4-14 | 3.0 | 4 | H | 136 | 126 | 122 | 112 | 101 | 89 | 68 |
| RVM4-16 | 3.0 | 4 | [m] | 152 | 144 | 140 | 129 | 115 | 101 | 78 |
| RVM4-19 | 4.0 | 5.5 | | 183 | 171 | 168 | 153 | 137 | 122 | 93 |
| RVM4-22 | 4.0 | 5.5 | | 211 | 200 | 192 | 178 | 160 | 138 | 100 |

PUMP DIMENSIONS



SIZE AND WEIGHT

| MODEL | SIZE (mm) | | | | | WEIGHT (kg) |
|---------|-----------|-----|-------|-----|-----|----------------|
| | B1 | B2 | B1+B2 | D1 | D2 | |
| RVM4-2 | 276 | 210 | 486 | 148 | 117 | 21 |
| RVM4-3 | 303 | 210 | 513 | 148 | 117 | 22 |
| RVM4-4 | 340 | 245 | 585 | 170 | 142 | 25 |
| RVM4-5 | 367 | 245 | 612 | 170 | 142 | 27 |
| RVM4-6 | 394 | 245 | 639 | 170 | 142 | 27 |
| RVM4-7 | 431 | 290 | 721 | 190 | 155 | 33 |
| RVM4-8 | 458 | 290 | 748 | 190 | 155 | 33 |
| RVM4-10 | 512 | 290 | 802 | 190 | 155 | 37 |
| RVM4-12 | 566 | 290 | 856 | 190 | 155 | 38 |
| RVM4-14 | 630 | 315 | 945 | 197 | 165 | 46 |
| RVM4-16 | 684 | 315 | 999 | 197 | 165 | 48 |
| RVM4-19 | 765 | 335 | 1100 | 230 | 188 | 57 |
| RVM4-22 | 846 | 335 | 1181 | 230 | 188 | 59 |

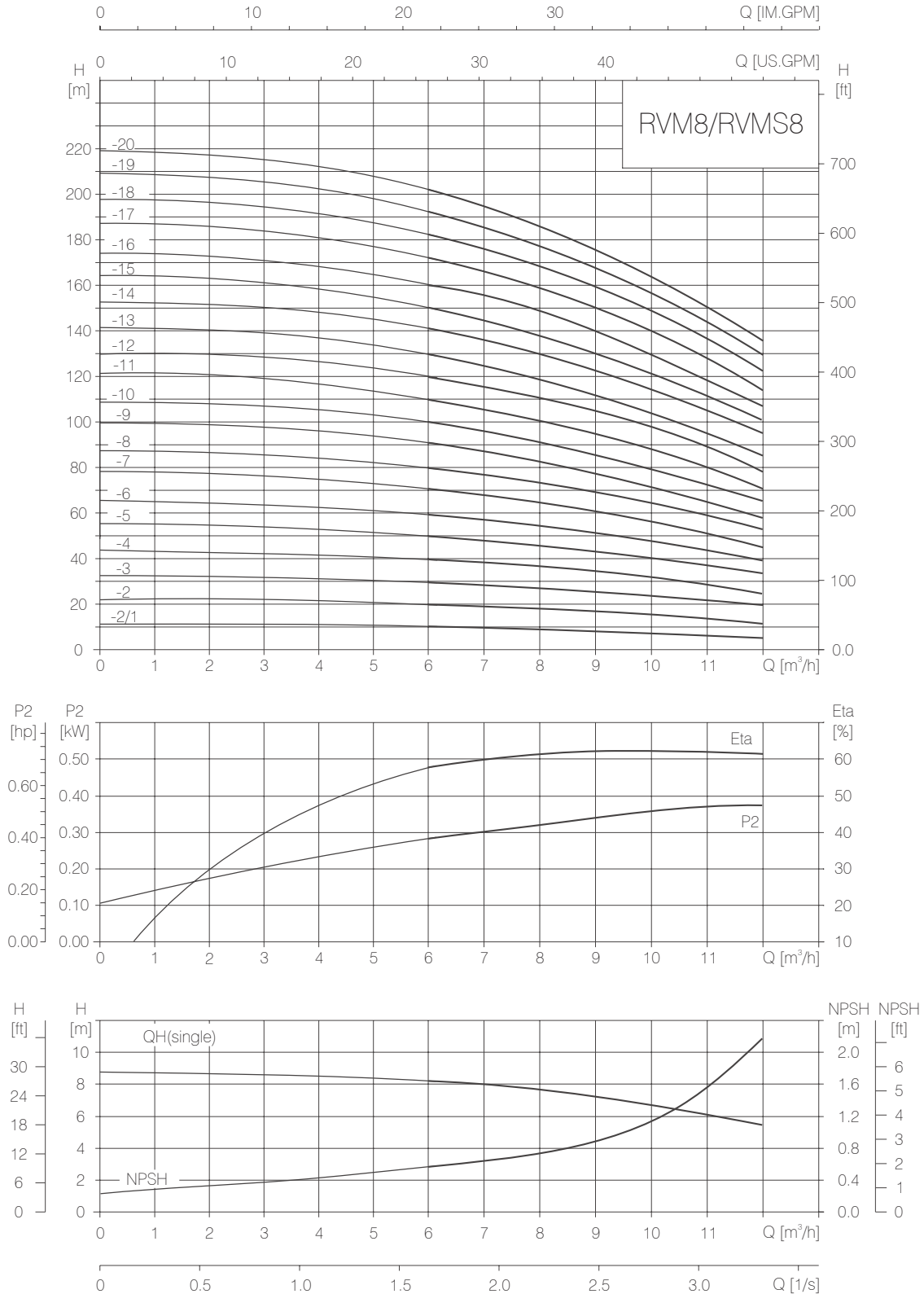
RVM4-19 ~ 4-22 sub-connection of pipeline has no oval flange connection.

The overall dimensions of the single-phase motor and explosion-proof motor are a little different. Please contact us for details.

RVM/RVMS8, 50Hz

PERFORMANCE CURVE

2900RPM



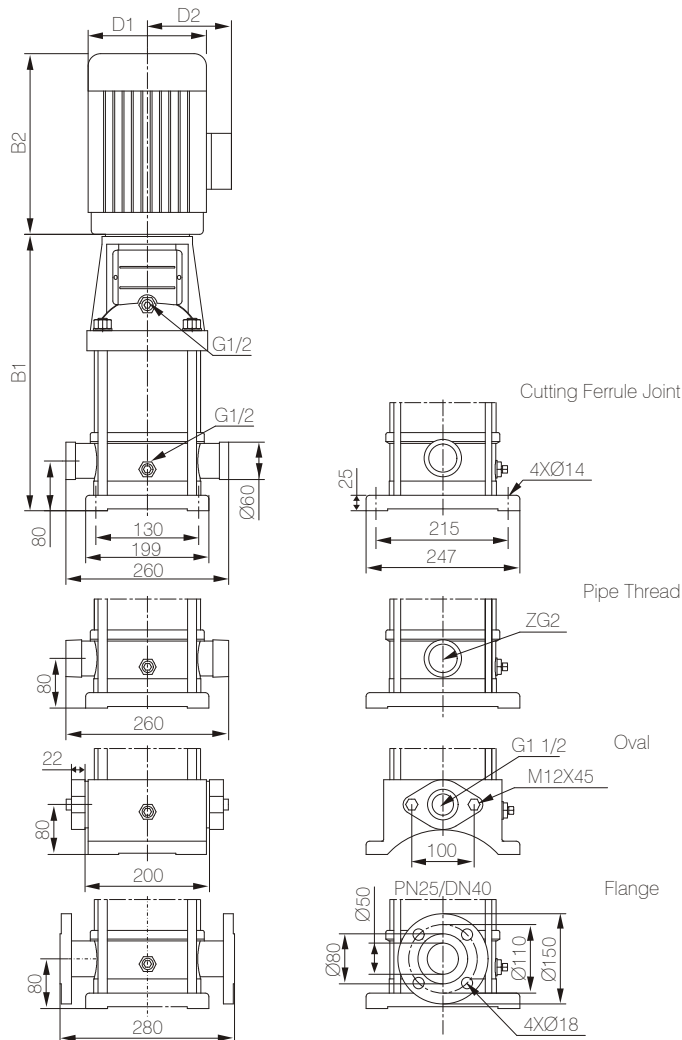
TECHNICAL DATA

PERFORMANCE TABLE

| MODEL | DRIVING MOTOR | | Q (m ³ /h) | 5 | 6 | 7 | 8 | 9 | 10 | 11 | 12 |
|----------|---------------|------|--------------------------|----|------|------|----|-----|----|----|----|
| | (kW) | (hp) | | | | | | | | | |
| RVM8-2/1 | 0.75 | 1 | | 10 | 9.5 | 9.3 | 9 | 8.5 | 8 | 7 | 6 |
| RVM8-2 | 0.75 | 1 | | 20 | 19.5 | 19 | 18 | 17 | 16 | 14 | 13 |
| RVM8-3 | 1.1 | 1.5 | H | 30 | 29.5 | 28.5 | 27 | 25 | 24 | 21 | 19 |
| RVM8-4 | 1.5 | 2 | [m] | 41 | 39.5 | 38 | 36 | 34 | 32 | 28 | 26 |
| RVM8-5 | 2.2 | 3 | | 52 | 50 | 48 | 45 | 42 | 40 | 36 | 32 |
| RVM8-6 | 2.2 | 3 | | 62 | 60 | 57 | 54 | 51 | 48 | 43 | 39 |
| RVM8-8 | 3.0 | 4 | | 83 | 80 | 77 | 73 | 69 | 65 | 58 | 52 |

| MODEL | DRIVING MOTOR | | Q (m ³ /h) | 5 | 6 | 7 | 8 | 9 | 10 | 11 | 12 |
|---------|---------------|------|--------------------------|-----|-----|-----|-----|-----|-----|-----|-----|
| | (kW) | (hp) | | | | | | | | | |
| RVM8-10 | 4.0 | 5.5 | | 104 | 100 | 97 | 92 | 87 | 81 | 73 | 65 |
| RVM8-12 | 4.0 | 5.5 | | 124 | 120 | 116 | 111 | 104 | 92 | 87 | 78 |
| RVM8-14 | 5.5 | 7.5 | H | 145 | 141 | 136 | 130 | 122 | 113 | 102 | 92 |
| RVM8-16 | 5.5 | 7.5 | [m] | 166 | 161 | 156 | 148 | 139 | 130 | 118 | 106 |
| RVM8-18 | 7.5 | 10 | | 187 | 182 | 175 | 167 | 157 | 146 | 134 | 120 |
| RVM8-20 | 7.5 | 10 | | 208 | 202 | 195 | 186 | 175 | 163 | 150 | 135 |

PUMP DIMENSIONS



SIZE AND WEIGHT

| MODEL | SIZE (mm) | | | | | WEIGHT (kg) |
|----------|-----------|-----|-------|-----|-----|----------------|
| | B1 | B2 | B1+B2 | D1 | D2 | |
| RVM8-2/1 | 347 | 245 | 592 | 170 | 142 | 32 |
| RVM8-2 | 347 | 245 | 592 | 170 | 142 | 32 |
| RVM8-3 | 377 | 245 | 622 | 170 | 142 | 34 |
| RVM8-4 | 417 | 290 | 707 | 190 | 155 | 40 |
| RVM8-5 | 447 | 290 | 737 | 190 | 155 | 44 |
| RVM8-6 | 477 | 290 | 767 | 190 | 155 | 45 |
| RVM8-8 | 547 | 315 | 862 | 197 | 165 | 53 |
| RVM8-10 | 607 | 335 | 942 | 230 | 188 | 64 |
| RVM8-12 | 667 | 335 | 1002 | 230 | 188 | 66 |
| RVM8-14 | 747 | 430 | 1177 | 260 | 208 | 81 |
| RVM8-16 | 807 | 430 | 1237 | 260 | 208 | 84 |
| RVM8-18 | 867 | 430 | 1297 | 260 | 208 | 93 |
| RVM8-20 | 927 | 430 | 1357 | 260 | 208 | 94 |

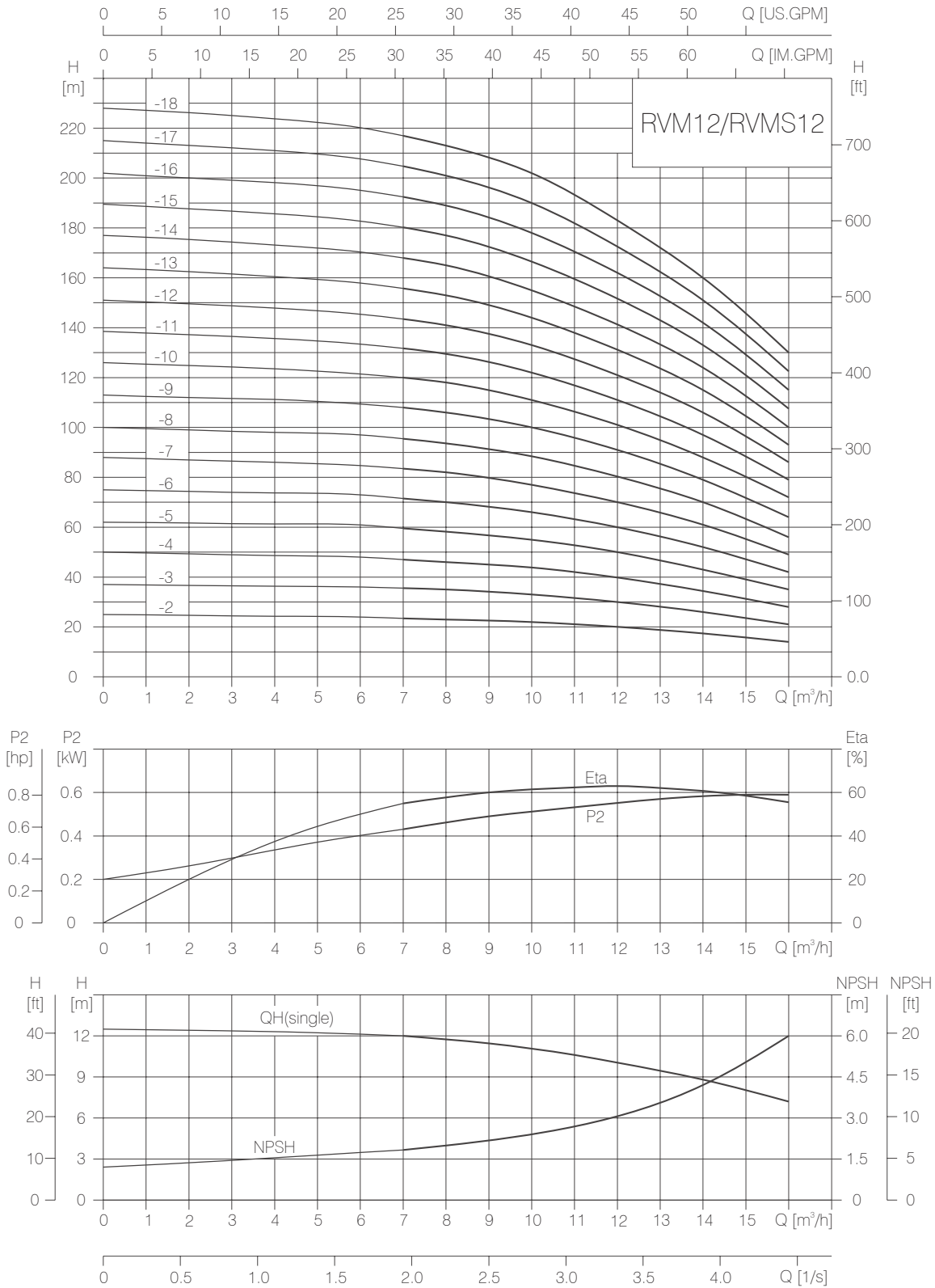
RVM8-14 ~ 8-20 sub-connection of pipeline has no oval flange connection.

The overall dimensions of the single-phase motor and explosion-proof motor are a little different. Please contact us for details.

RVM/RVMS12, 50Hz

PERFORMANCE CURVE

2900RPM

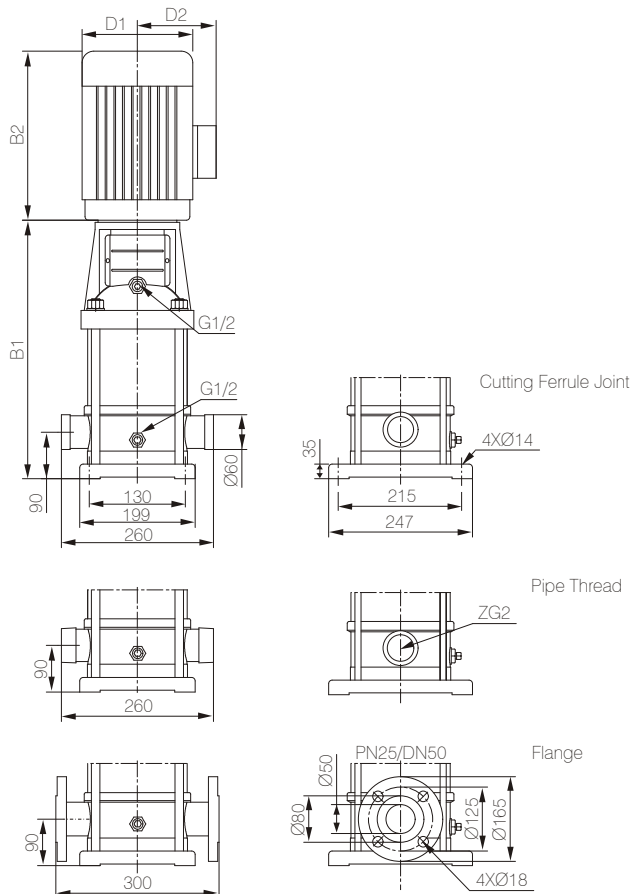


TECHNICAL DATA

PERFORMANCE TABLE

| MODEL | DRIVING MOTOR | | Q (m ³ /h) | 7 | 8 | 9 | 10 | 11 | 12 | 13 | 14 | 15 | 16 |
|----------|---------------|------|--------------------------|-------|-----|-------|-----|-------|-----|-------|-----|-------|-----|
| | (kW) | (hp) | | | | | | | | | | | |
| RVM12-2 | 1.5 | 2 | | 23.5 | 23 | 22.5 | 22 | 21 | 20 | 18.5 | 17 | 15.5 | 14 |
| RVM12-3 | 2.2 | 3 | | 35.5 | 35 | 34 | 33 | 31.5 | 30 | 28 | 26 | 23.5 | 21 |
| RVM12-4 | 3 | 4 | | 47 | 46 | 45 | 44 | 42 | 40 | 37 | 34 | 31 | 28 |
| RVM12-5 | 3 | 4 | | 59.5 | 58 | 56.5 | 55 | 52.5 | 50 | 46.5 | 43 | 39 | 35 |
| RVM12-6 | 4 | 5.5 | H | 71.5 | 70 | 68 | 66 | 63 | 60 | 56 | 52 | 47 | 42 |
| RVM12-7 | 5.5 | 7.5 | (m) | 83.5 | 82 | 79.5 | 77 | 73.5 | 70 | 65.5 | 61 | 55 | 49 |
| RVM12-8 | 5.5 | 7.5 | | 95.5 | 94 | 91 | 88 | 84 | 80 | 75 | 70 | 63 | 56 |
| RVM12-9 | 5.5 | 7.5 | | 108 | 106 | 103 | 100 | 95.5 | 91 | 85 | 79 | 71.5 | 64 |
| RVM12-10 | 7.5 | 10 | | 120 | 118 | 114.5 | 111 | 106 | 101 | 94.5 | 88 | 80 | 72 |
| RVM12-12 | 7.5 | 10 | | 143.5 | 141 | 137 | 133 | 127 | 121 | 113.5 | 106 | 96 | 86 |
| RVM12-14 | 11 | 15 | | 168 | 165 | 160 | 155 | 148 | 141 | 132.5 | 124 | 112 | 100 |
| RVM12-16 | 11 | 15 | | 192.5 | 189 | 183.5 | 178 | 170 | 162 | 152 | 142 | 128.5 | 115 |
| RVM12-18 | 11 | 15 | | 217 | 213 | 207.5 | 202 | 192.5 | 183 | 171.5 | 160 | 145 | 130 |

PUMP DIMENSIONS



SIZE AND WEIGHT

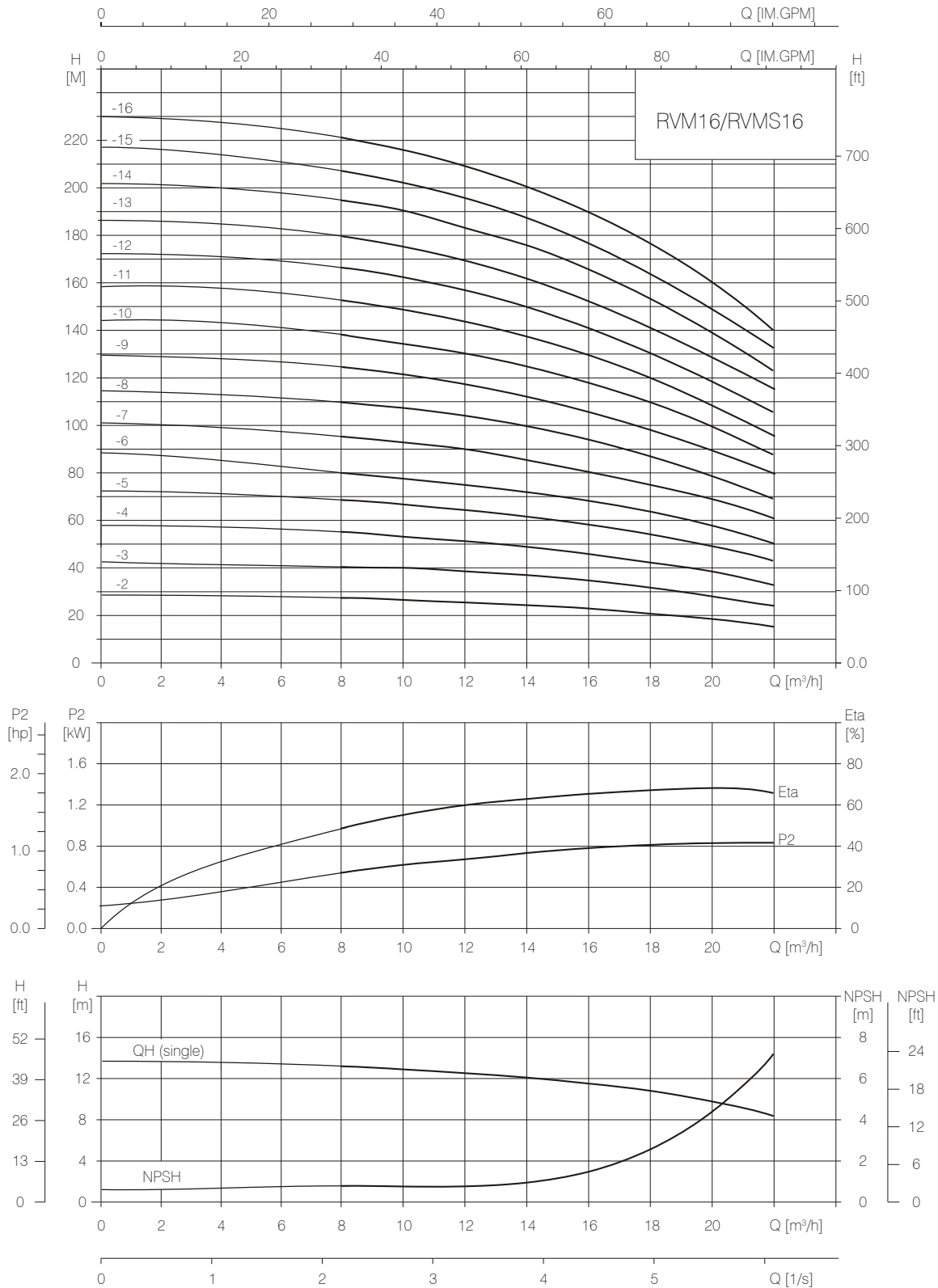
| MODEL | SIZE (mm) | | | | | WEIGHT (kg) |
|----------|-----------|-----|-------|-----|-----|-------------|
| | B1 | B2 | B1+B2 | D1 | D2 | |
| RVM12-2 | 367 | 290 | 657 | 190 | 155 | 39 |
| RVM12-3 | 397 | 290 | 687 | 190 | 155 | 43 |
| RVM12-4 | 437 | 315 | 752 | 197 | 165 | 51 |
| RVM12-5 | 467 | 315 | 782 | 197 | 165 | 53 |
| RVM12-6 | 497 | 335 | 832 | 230 | 188 | 61 |
| RVM12-7 | 547 | 430 | 977 | 260 | 208 | 73 |
| RVM12-8 | 577 | 430 | 1007 | 260 | 208 | 74 |
| RVM12-9 | 607 | 430 | 1037 | 260 | 208 | 76 |
| RVM12-10 | 637 | 430 | 1067 | 260 | 208 | 83 |
| RVM12-12 | 697 | 430 | 1127 | 260 | 208 | 87 |
| RVM12-14 | 845 | 490 | 1335 | 330 | 255 | 157 |
| RVM12-16 | 905 | 490 | 1395 | 330 | 255 | 161 |
| RVM12-18 | 965 | 490 | 1455 | 330 | 255 | 164 |

The overall dimensions of the single-phase motor and explosion-proof motor are a little different. Please contact us for details.

RVM/RVMS16, 50Hz

PERFORMANCE CURVE

2900RPM

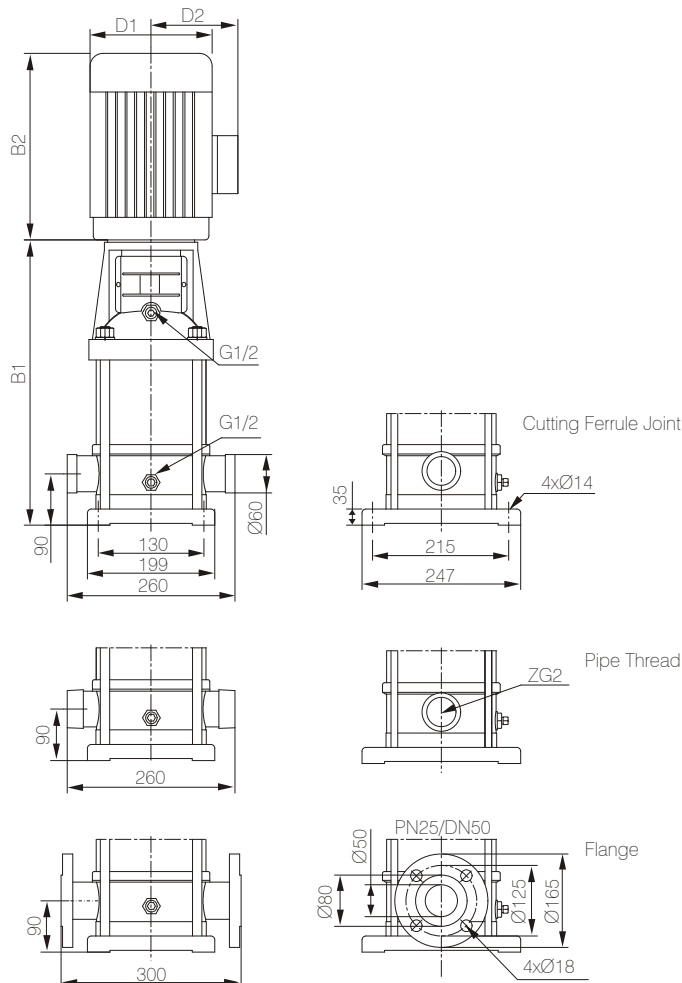


TECHNICAL DATA

PERFORMANCE TABLE

| MODEL | DRIVING MOTOR | | Q (m ³ /h) | 8 | 10 | 12 | 14 | 16 | 18 | 20 | 22 |
|----------|---------------|------|--------------------------|-----|-----|-----|-----|-----|-----|-----|-----|
| | (kW) | (hp) | | | | | | | | | |
| RVM16-2 | 2.2 | 3 | | 27 | 26 | 25 | 24 | 22 | 21 | 19 | 16 |
| RVM16-3 | 3.0 | 4 | | 41 | 40 | 38 | 37 | 34 | 32 | 29 | 25 |
| RVM16-4 | 4.0 | 5.5 | | 54 | 53 | 52 | 49 | 46 | 43 | 38 | 34 |
| RVM16-5 | 5.5 | 7.5 | | 68 | 67 | 65 | 62 | 58 | 54 | 48 | 43 |
| RVM16-6 | 5.5 | 7.5 | | 82 | 80 | 78 | 74 | 70 | 64 | 58 | 52 |
| RVM16-7 | 7.5 | 10 | H | 96 | 95 | 91 | 87 | 82 | 76 | 68 | 61 |
| RVM16-8 | 7.5 | 10 | [m] | 110 | 108 | 104 | 99 | 94 | 86 | 77 | 70 |
| RVM16-10 | 11 | 15 | | 138 | 136 | 131 | 125 | 118 | 109 | 97 | 87 |
| RVM16-12 | 11 | 15 | | 166 | 162 | 157 | 150 | 141 | 130 | 116 | 105 |
| RVM16-14 | 15 | 20 | | 194 | 190 | 184 | 175 | 166 | 152 | 136 | 112 |
| RVM16-16 | 15 | 20 | | 222 | 217 | 210 | 200 | 189 | 174 | 156 | 140 |

PUMP DIMENSIONS



SIZE AND WEIGHT

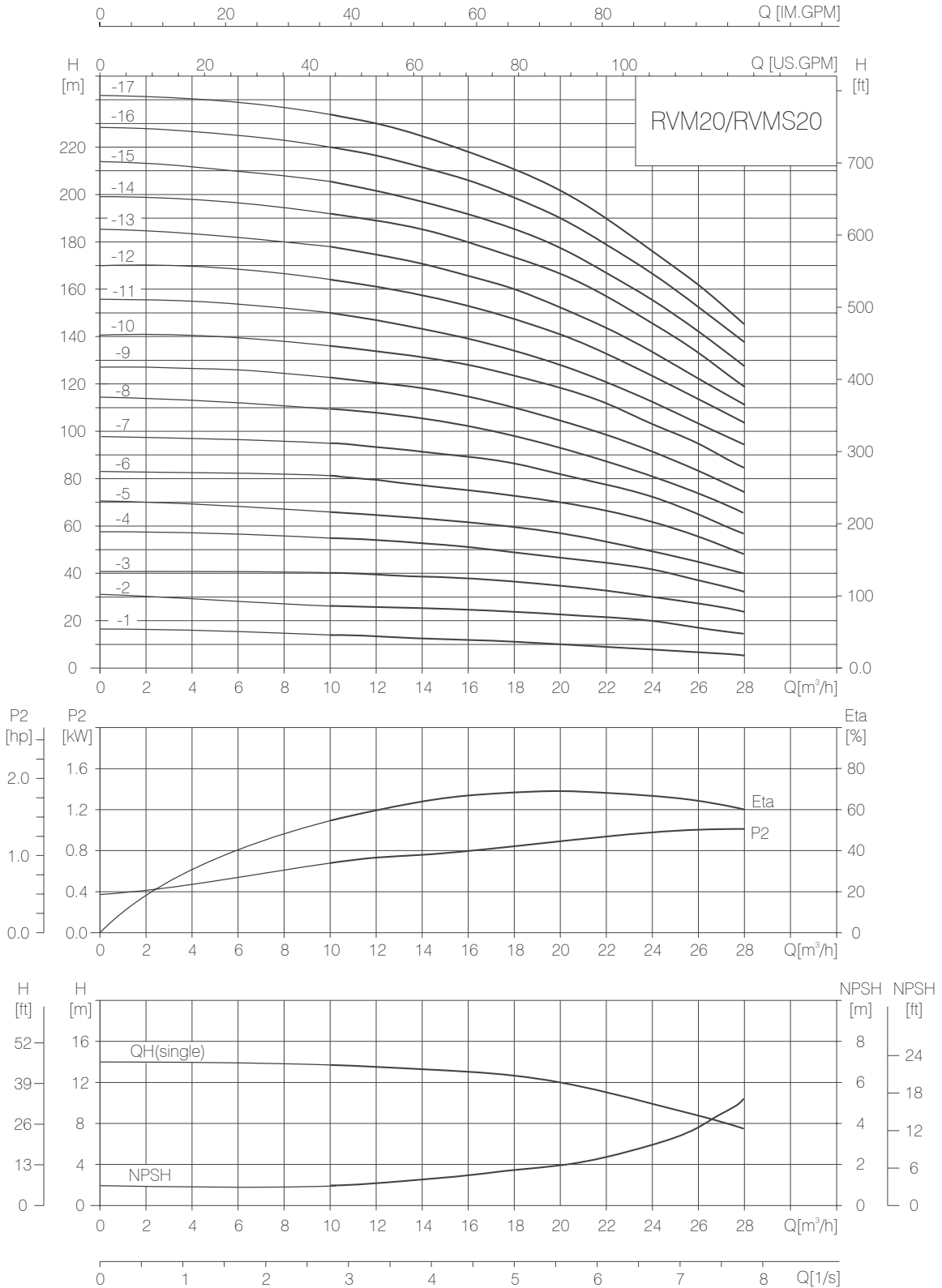
| MODEL | SIZE (mm) | | | | | WEIGHT (kg) |
|----------|-----------|-----|-------|-----|-----|-------------|
| | B1 | B2 | B1+B2 | D1 | D2 | |
| RVM16-2 | 397 | 290 | 687 | 190 | 155 | 42 |
| RVM16-3 | 452 | 315 | 767 | 197 | 165 | 50 |
| RVM16-4 | 497 | 335 | 832 | 230 | 188 | 59 |
| RVM16-5 | 562 | 430 | 992 | 260 | 208 | 76 |
| RVM16-6 | 607 | 430 | 1037 | 260 | 208 | 77 |
| RVM16-7 | 652 | 430 | 1082 | 260 | 208 | 84 |
| RVM16-8 | 697 | 430 | 1127 | 260 | 208 | 86 |
| RVM16-10 | 875 | 490 | 1365 | 330 | 255 | 158 |
| RVM16-12 | 965 | 490 | 1455 | 330 | 255 | 161 |
| RVM16-14 | 1055 | 490 | 1545 | 330 | 255 | 174 |
| RVM16-16 | 1145 | 490 | 1635 | 330 | 255 | 178 |

The overall dimensions of the single-phase motor and explosion-proof motor are a little different. Please contact us for details.

RVM/RVMS20, 50Hz

PERFORMANCE CURVE

2900RPM

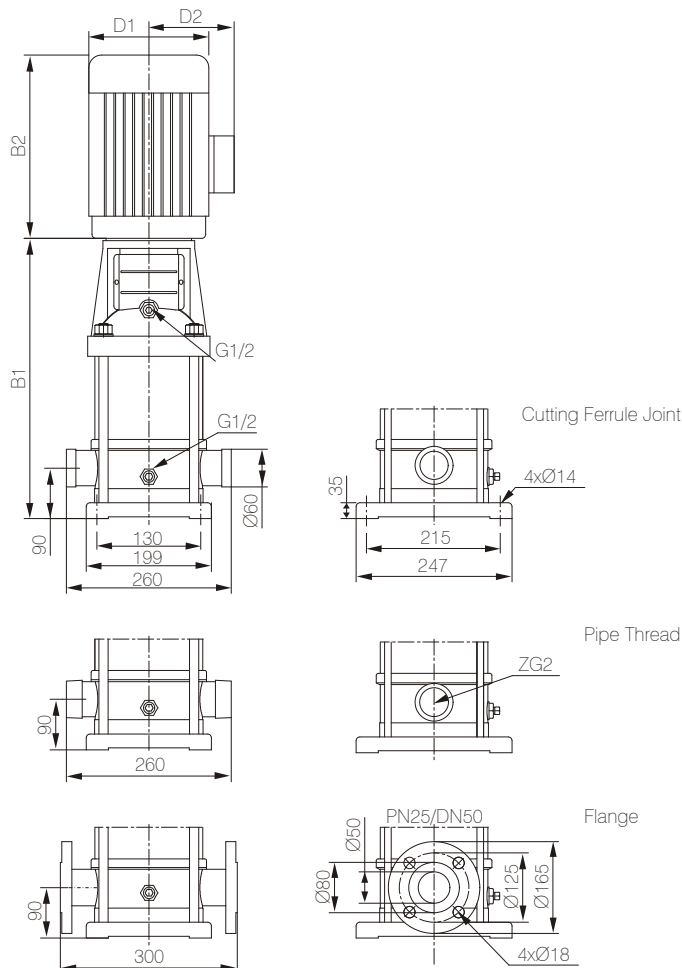


TECHNICAL DATA

PERFORMANCE TABLE

| MODEL | DRIVING MOTOR | | Q (m ³ /h) | 10 | 12 | 14 | 16 | 18 | 20 | 22 | 24 | 26 | 28 |
|----------|---------------|------|--------------------------|------|------|------|-----|-----|-----|-----|-----|-----|-----|
| | (kW) | (hp) | | | | | | | | | | | |
| RVM20-1 | 1.1 | 1.5 | | 13.5 | 13 | 12.5 | 12 | 11 | 10 | 9 | 8 | 7 | 6 |
| RVM20-2 | 2.2 | 3 | | 27 | 26.5 | 26 | 25 | 24 | 23 | 22 | 20 | 18 | 15 |
| RVM20-3 | 4.0 | 5.5 | | 40 | 39.5 | 39 | 38 | 37 | 35 | 33 | 30 | 27 | 24 |
| RVM20-4 | 5.5 | 7.5 | | 54 | 53 | 52 | 51 | 49 | 47 | 44 | 41 | 37 | 33 |
| RVM20-5 | 5.5 | 7.5 | H | 67 | 66 | 64 | 62 | 60 | 58 | 55 | 50 | 45 | 40 |
| RVM20-6 | 7.5 | 10 | (m) | 81 | 79 | 77 | 75 | 73 | 70 | 66 | 61 | 55 | 49 |
| RVM20-7 | 7.5 | 10 | | 95 | 93 | 91 | 89 | 86 | 82 | 77 | 71 | 65 | 58 |
| RVM20-8 | 11 | 15 | | 109 | 107 | 105 | 102 | 99 | 94 | 89 | 82 | 75 | 67 |
| RVM20-10 | 11 | 15 | | 136 | 134 | 131 | 128 | 124 | 118 | 111 | 103 | 95 | 85 |
| RVM20-12 | 15 | 20 | | 164 | 162 | 158 | 154 | 149 | 142 | 133 | 124 | 114 | 102 |
| RVM20-14 | 15 | 20 | | 192 | 189 | 185 | 180 | 174 | 166 | 156 | 145 | 133 | 119 |
| RVM20-17 | 18.5 | 25 | | 234 | 230 | 225 | 219 | 212 | 202 | 190 | 177 | 162 | 145 |

PUMP DIMENSIONS



SIZE AND WEIGHT

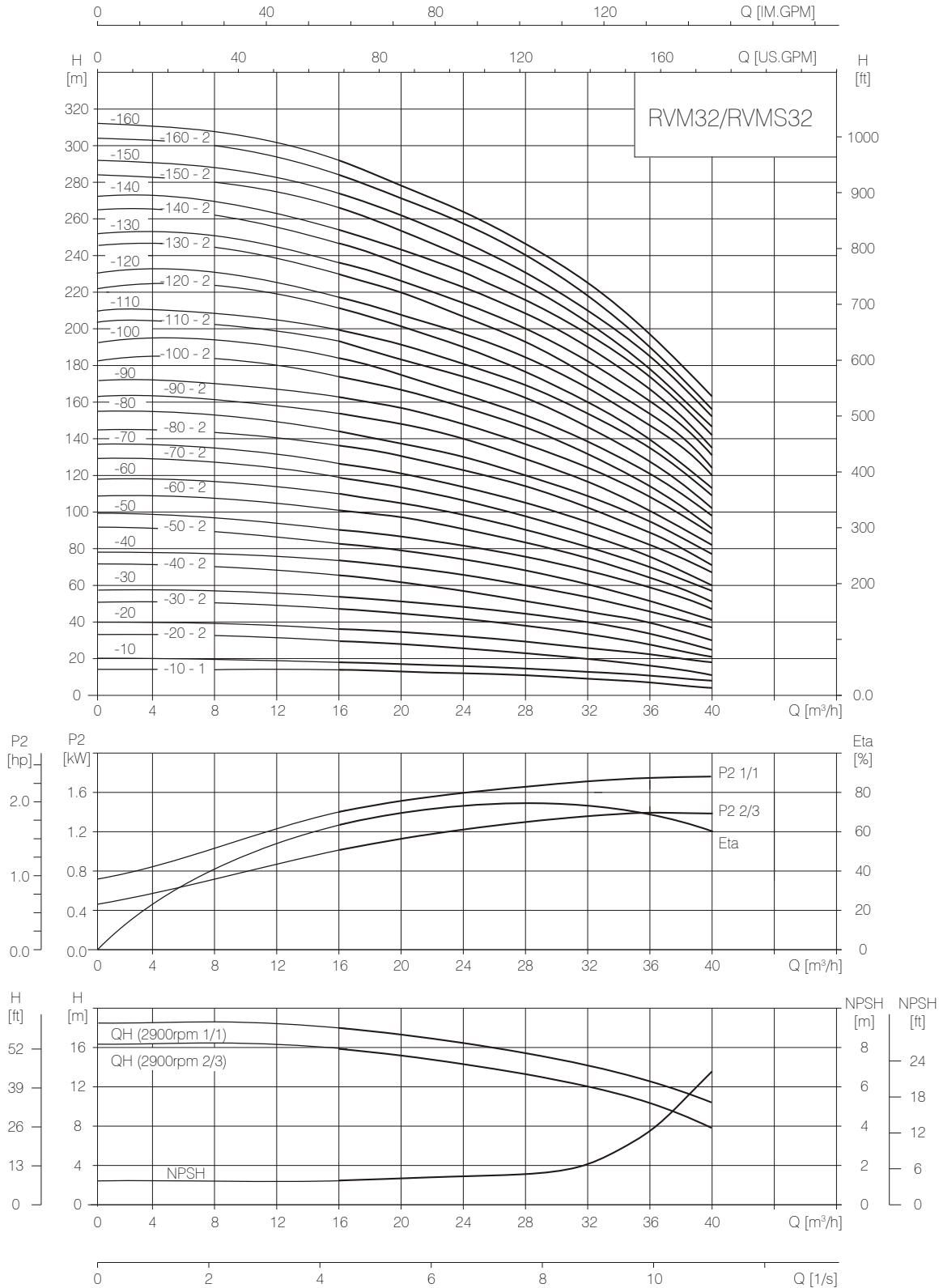
| MODEL | SIZE (mm) | | | | | WEIGHT (kg) |
|----------|-----------|-----|-------|-----|-----|-------------|
| | B1 | B2 | B1+B2 | D1 | D2 | |
| RVM20-1 | 387 | 245 | 632 | 170 | 142 | 33 |
| RVM20-2 | 397 | 290 | 687 | 190 | 155 | 42 |
| RVM20-3 | 452 | 335 | 787 | 230 | 188 | 58 |
| RVM20-4 | 517 | 430 | 947 | 260 | 208 | 74 |
| RVM20-5 | 562 | 430 | 992 | 260 | 208 | 76 |
| RVM20-6 | 607 | 430 | 1037 | 260 | 208 | 82 |
| RVM20-7 | 652 | 430 | 1082 | 260 | 208 | 84 |
| RVM20-8 | 785 | 490 | 1275 | 330 | 255 | 153 |
| RVM20-10 | 875 | 490 | 1365 | 330 | 255 | 157 |
| RVM20-12 | 965 | 490 | 1455 | 330 | 255 | 170 |
| RVM20-14 | 1055 | 490 | 1545 | 330 | 255 | 172 |
| RVM20-17 | 1190 | 490 | 1740 | 330 | 255 | 195 |

The overall dimensions of the single-phase motor and explosion-proof motor are a little different. Please contact us for details.

RVM/RVMS32, 50Hz

PERFORMANCE CURVE

2900RPM



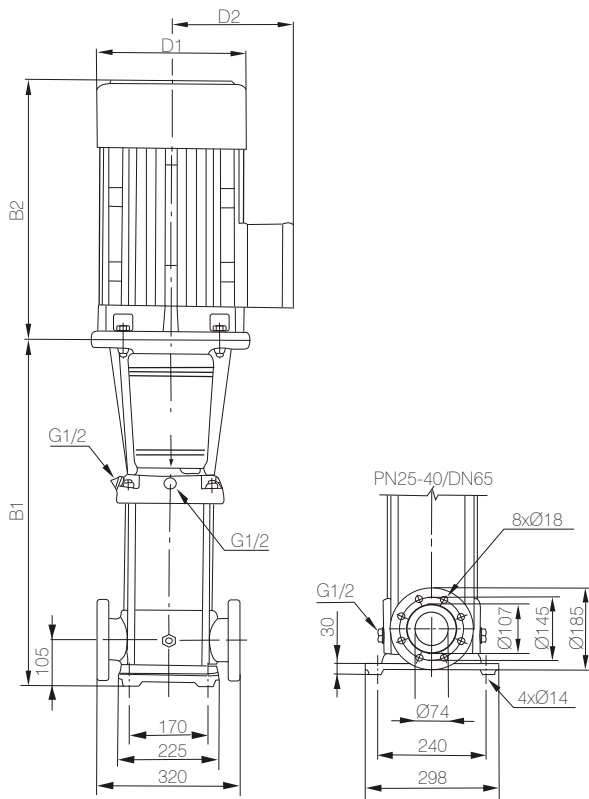
TECHNICAL DATA

PERFORMANCE TABLE

| MODEL | DRIVING MOTOR | | Q (m ³ /h) | 16 | 20 | 24 | 28 | 32 | 36 | 40 |
|------------|---------------|------|--------------------------|-----|-----|-----|-----|-----|----|----|
| | (kW) | (hp) | | | | | | | | |
| RVM32-10-1 | 1.5 | 2 | | 14 | 13 | 12 | 11 | 9 | 7 | 4 |
| RVM32-10 | 2.2 | 3 | | 18 | 17 | 15 | 14 | 13 | 11 | 8 |
| RVM32-20-2 | 3.0 | 4 | | 29 | 28 | 26 | 23 | 20 | 16 | 11 |
| RVM32-20 | 4.0 | 5.5 | | 36 | 34 | 32 | 29 | 27 | 23 | 18 |
| RVM32-30-2 | 5.5 | 7.5 | | 47 | 44 | 41 | 38 | 33 | 28 | 21 |
| RVM32-30 | 5.5 | 7.5 | | 54 | 51 | 48 | 44 | 40 | 35 | 27 |
| RVM32-40-2 | 7.5 | 10 | | 65 | 62 | 58 | 53 | 46 | 40 | 30 |
| RVM32-40 | 7.5 | 10 | | 72 | 69 | 65 | 59 | 53 | 47 | 37 |
| RVM32-50-2 | 11 | 15 | H | 83 | 79 | 74 | 68 | 60 | 52 | 41 |
| RVM32-50 | 11 | 15 | [m] | 90 | 86 | 81 | 74 | 67 | 59 | 47 |
| RVM32-60-2 | 11 | 15 | | 101 | 97 | 90 | 83 | 74 | 65 | 51 |
| RVM32-60 | 11 | 15 | | 108 | 104 | 97 | 90 | 81 | 72 | 57 |
| RVM32-70-2 | 15 | 20 | | 119 | 114 | 107 | 98 | 88 | 78 | 60 |
| RVM32-70 | 15 | 20 | | 126 | 121 | 113 | 105 | 95 | 85 | 67 |
| RVM32-80-2 | 15 | 20 | | 136 | 131 | 123 | 114 | 102 | 90 | 71 |
| RVM32-80 | 15 | 20 | | 144 | 138 | 130 | 120 | 109 | 97 | 77 |

| MODEL | DRIVING MOTOR | | Q (m ³ /h) | 16 | 20 | 24 | 28 | 32 | 36 | 40 |
|-------------|---------------|------|--------------------------|-----|-----|-----|-----|-----|-----|-----|
| | (kW) | (hp) | | | | | | | | |
| RVM32-90-2 | 18.5 | 25 | | 154 | 148 | 140 | 129 | 117 | 102 | 82 |
| RVM32-90 | 18.5 | 25 | | 162 | 156 | 147 | 136 | 124 | 109 | 88 |
| RVM32-100-2 | 18.5 | 25 | | 175 | 166 | 157 | 146 | 131 | 115 | 91 |
| RVM32-100 | 18.5 | 25 | | 182 | 173 | 164 | 152 | 138 | 122 | 98 |
| RVM32-110-2 | 22 | 30 | | 193 | 184 | 173 | 164 | 146 | 128 | 102 |
| RVM32-110 | 22 | 30 | H | 200 | 191 | 180 | 168 | 153 | 135 | 109 |
| RVM32-120-2 | 22 | 30 | [m] | 211 | 201 | 189 | 178 | 160 | 140 | 113 |
| RVM32-120 | 22 | 30 | | 218 | 208 | 196 | 184 | 167 | 147 | 120 |
| RVM32-130-2 | 30 | 40 | | 230 | 218 | 206 | 193 | 174 | 153 | 124 |
| RVM32-130 | 30 | 40 | | 237 | 225 | 213 | 200 | 181 | 160 | 131 |
| RVM32-140-2 | 30 | 40 | | 247 | 235 | 222 | 210 | 189 | 165 | 135 |
| RVM32-140 | 30 | 40 | | 255 | 242 | 229 | 216 | 196 | 172 | 142 |
| RVM32-150-2 | 30 | 40 | | 266 | 253 | 239 | 224 | 203 | 178 | 145 |
| RVM32-150 | 30 | 40 | | 274 | 260 | 246 | 231 | 210 | 185 | 152 |
| RVM32-160-2 | 30 | 40 | | 284 | 270 | 255 | 240 | 218 | 190 | 156 |
| RVM32-160 | 30 | 40 | | 292 | 277 | 262 | 246 | 225 | 197 | 163 |

PUMP DIMENSIONS



SIZE AND WEIGHT

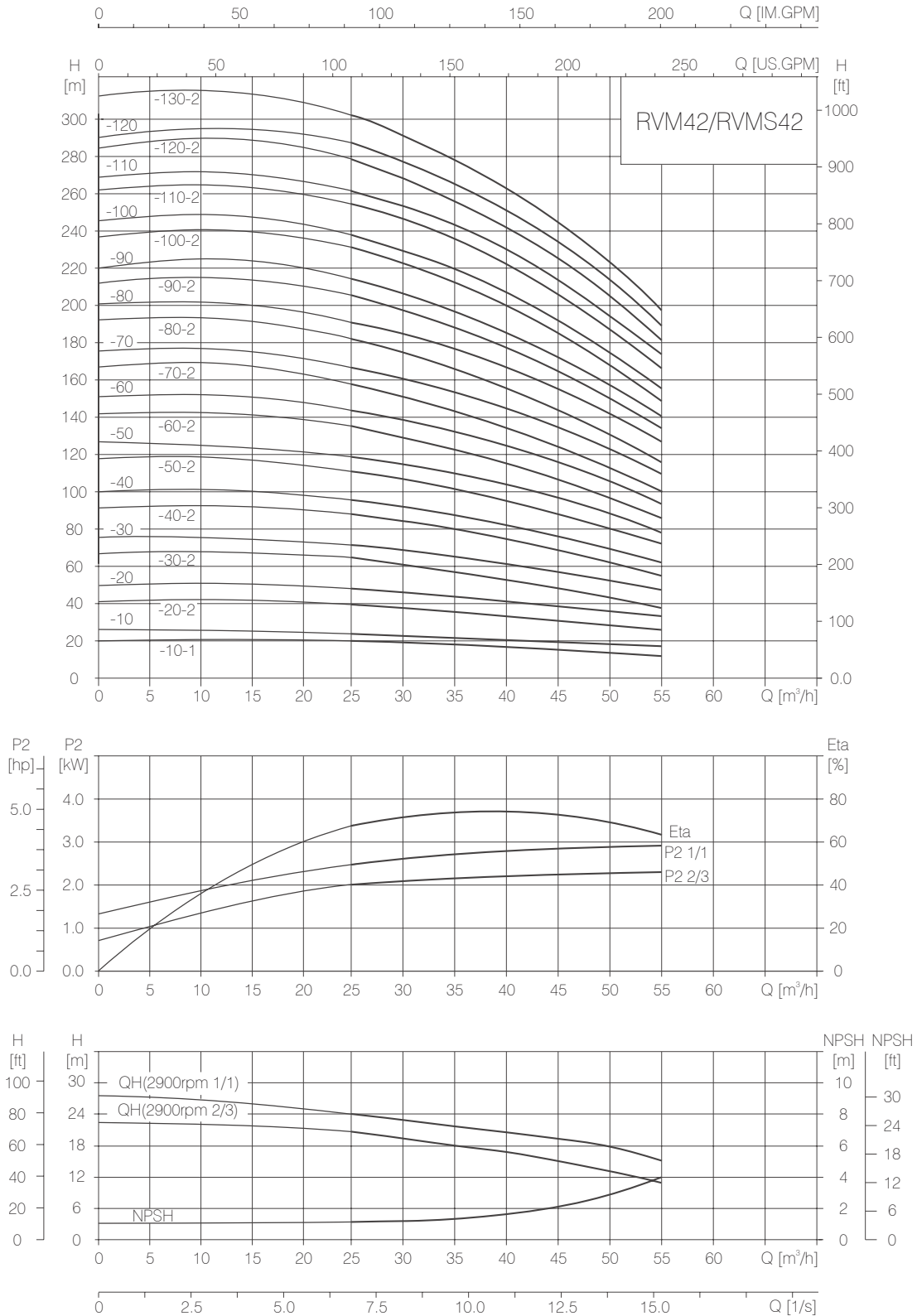
| MODEL | SIZE (mm) | | | | | WEIGHT (kg) |
|-----------------------|-----------|---------|---------|---------|---------|-------------|
| | B1 | B2 | B1+B2 | D1 | D2 | |
| RVM32-10-1/RVM32-10 | 505 | 290 | 795 | 190 | 155 | 64/68 |
| RVM32-20-2/RVM32-20 | 575 | 315/335 | 890/910 | 197/230 | 165/180 | 77/85 |
| RVM32-30-2/RVM32-30 | 645 | 430 | 1075 | 260 | 208 | 100 |
| RVM32-40-2/RVM32-40 | 715 | 430 | 1145 | 260 | 208 | 109 |
| RVM32-50-2/RVM32-50 | 890 | 490 | 1380 | 330 | 255 | 181 |
| RVM32-60-2/RVM32-60 | 960 | 490 | 1450 | 330 | 255 | 185 |
| RVM32-70-2/RVM32-70 | 1030 | 490 | 1520 | 330 | 255 | 199 |
| RVM32-80-2/RVM32-80 | 1100 | 490 | 1590 | 330 | 255 | 203 |
| RVM32-90-2/RVM32-90 | 1170 | 550 | 1720 | 330 | 255 | 222 |
| RVM32-100-2/RVM32-100 | 1240 | 550 | 1790 | 330 | 255 | 227 |
| RVM32-110-2/RVM32-110 | 1310 | 590 | 1900 | 360 | 285 | 272 |
| RVM32-120-2/RVM32-120 | 1380 | 590 | 1970 | 360 | 285 | 276 |
| RVM32-130-2/RVM32-130 | 1450 | 660 | 2110 | 400 | 310 | 337 |
| RVM32-140-2/RVM32-140 | 1520 | 660 | 2180 | 400 | 310 | 341 |
| RVM32-150-2/RVM32-150 | 1590 | 660 | 2250 | 400 | 310 | 345 |
| RVM32-160-2/RVM32-160 | 1660 | 660 | 2320 | 400 | 310 | 350 |

The overall dimensions of the single-phase motor and explosion-proof motor are a little different. Please contact us for details.

RVM/RVMS42, 50Hz

PERFORMANCE CURVE

2900RPM



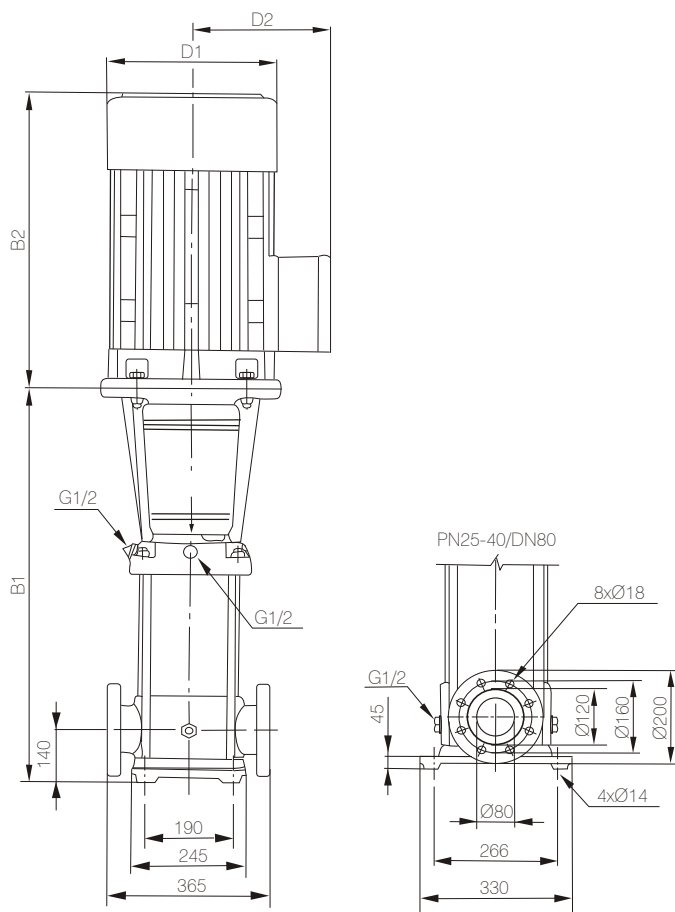
TECHNICAL DATA

PERFORMANCE TABLE

| MODEL | DRIVING MOTOR | | Q (m³/h) | 16 | 20 | 24 | 28 | 32 | 36 | 40 | 40 |
|------------|---------------|------|-------------|-----|-----|-----|-----|-----|-----|-----|-----|
| | (kW) | (hp) | | | | | | | | | |
| RVM42-10-1 | 3.0 | 4 | | 20 | 19 | 18 | 17 | 16 | 15 | 13 | 11 |
| RVM42-10 | 4.0 | 5.5 | | 24 | 23 | 22 | 21 | 20 | 19 | 18 | 16 |
| RVM42-20-2 | 5.5 | 7.5 | | 40 | 38 | 36 | 33 | 32 | 30 | 27 | 23 |
| RVM42-20 | 7.5 | 10 | | 48 | 46 | 44 | 42 | 41 | 39 | 35 | 31 |
| RVM42-30-2 | 11 | 15 | | 63 | 61 | 58 | 54 | 52 | 50 | 44 | 38 |
| RVM42-30 | 11 | 15 | H | 71 | 69 | 66 | 63 | 61 | 58 | 53 | 47 |
| RVM42-40-2 | 15 | 20 | [m] | 87 | 84 | 80 | 75 | 73 | 69 | 62 | 54 |
| RVM42-40 | 15 | 20 | | 95 | 92 | 88 | 84 | 81 | 78 | 71 | 62 |
| RVM42-50-2 | 18.5 | 25 | | 111 | 107 | 102 | 96 | 93 | 88 | 80 | 69 |
| RVM42-50 | 18.5 | 25 | | 119 | 115 | 110 | 105 | 101 | 97 | 88 | 78 |
| RVM42-60-2 | 22 | 30 | | 135 | 130 | 124 | 117 | 113 | 108 | 97 | 85 |
| RVM42-60 | 22 | 30 | | 143 | 138 | 132 | 125 | 122 | 116 | 106 | 93 |
| RVM42-70-2 | 30 | 40 | | 158 | 152 | 146 | 138 | 134 | 127 | 115 | 100 |

| MODEL | DRIVING MOTOR | | Q (m³/h) | 16 | 20 | 24 | 28 | 32 | 36 | 40 | 40 |
|-------------|---------------|------|-------------|-----|-----|-----|-----|-----|-----|-----|-----|
| | (kW) | (hp) | | | | | | | | | |
| RVM42-70 | 30 | 40 | | 166 | 161 | 154 | 146 | 142 | 135 | 124 | 109 |
| RVM42-80-2 | 30 | 40 | | 182 | 175 | 168 | 159 | 154 | 146 | 133 | 116 |
| RVM42-80 | 30 | 40 | | 190 | 184 | 176 | 167 | 162 | 154 | 141 | 124 |
| RVM42-90-2 | 30 | 40 | | 205 | 198 | 190 | 180 | 174 | 166 | 150 | 132 |
| RVM42-90 | 37 | 50 | | 214 | 207 | 198 | 188 | 183 | 174 | 159 | 140 |
| RVM42-100-2 | 37 | 50 | H | 230 | 221 | 212 | 200 | 194 | 185 | 168 | 147 |
| RVM42-100 | 37 | 50 | [m] | 238 | 230 | 220 | 209 | 203 | 193 | 177 | 155 |
| RVM42-110-2 | 45 | 60 | | 255 | 246 | 236 | 223 | 217 | 206 | 188 | 165 |
| RVM42-110 | 45 | 60 | | 263 | 255 | 244 | 232 | 225 | 214 | 196 | 173 |
| RVM42-120-2 | 45 | 60 | | 280 | 270 | 259 | 245 | 238 | 226 | 206 | 181 |
| RVM42-120 | 45 | 60 | | 289 | 280 | 268 | 255 | 247 | 236 | 216 | 190 |
| RVM42-130-2 | 45 | 60 | | 305 | 294 | 282 | 267 | 259 | 247 | 225 | 198 |

PUMP DIMENSIONS



SIZE AND WEIGHT

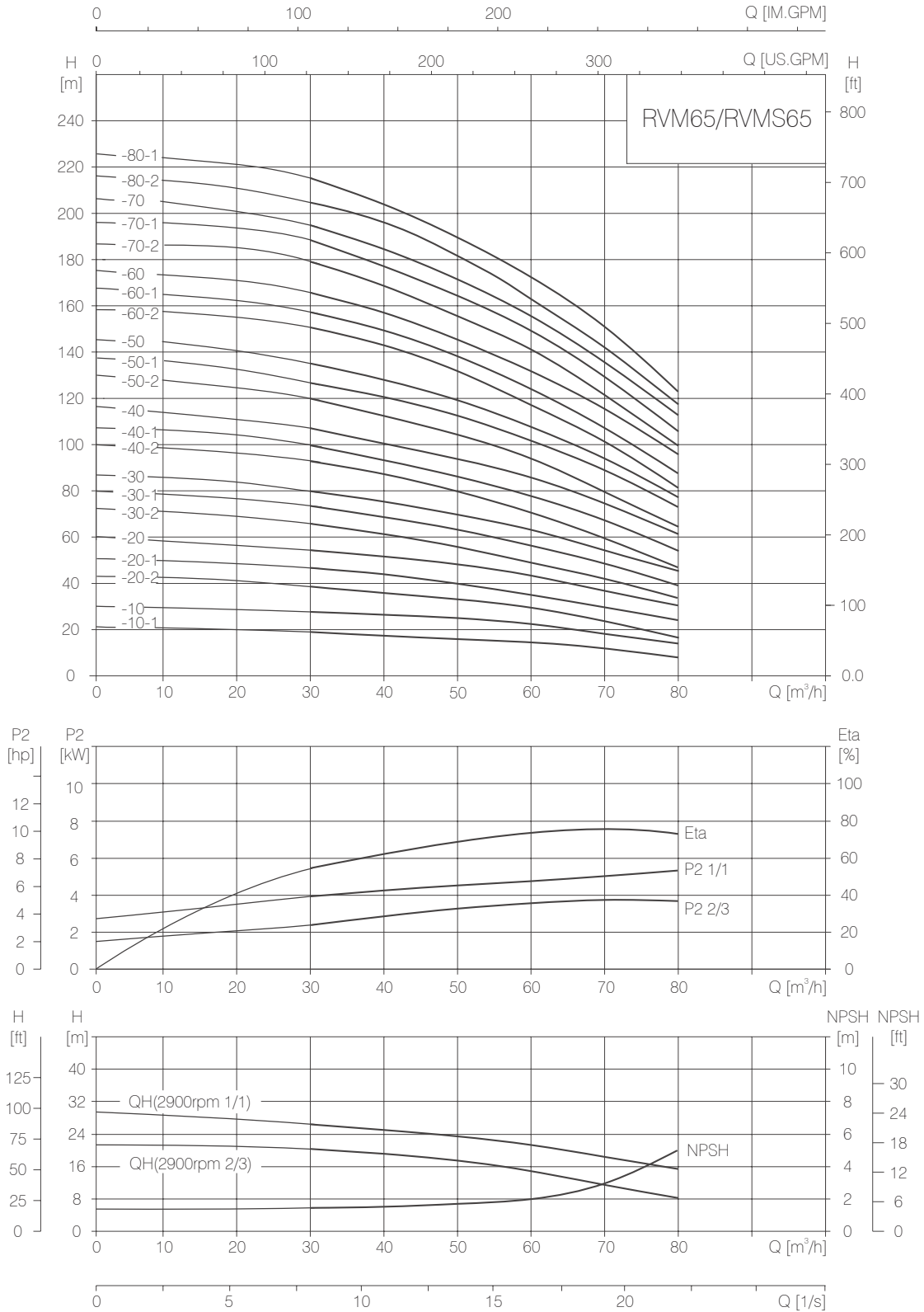
| MODEL | SIZE (mm) | | | | | WEIGHT (kg) |
|-----------------------|-----------|---------|---------|---------|---------|-------------|
| | B1 | B2 | B1+B2 | D1 | D2 | |
| RVM42-10-1/RVM42-10 | 561 | 315/335 | 876/896 | 197/230 | 165/188 | 83/90 |
| RVM42-20-2/RVM42-20 | 641 | 430 | 1071 | 260 | 208 | 105/110 |
| RVM42-30-2/RVM42-30 | 826 | 490 | 1316 | 330 | 255 | 183 |
| RVM42-40-2/RVM42-40 | 906 | 490 | 1396 | 330 | 255 | 197 |
| RVM42-50-2/RVM42-50 | 986 | 550 | 1536 | 330 | 255 | 221 |
| RVM42-60-2/RVM42-60 | 1066 | 590 | 1656 | 360 | 285 | 261 |
| RVM42-70-2/RVM42-70 | 1146 | 660 | 1806 | 400 | 310 | 320 |
| RVM42-80-2/RVM42-80 | 1226 | 660 | 1886 | 400 | 310 | 324 |
| RVM42-90-2/RVM42-90 | 1306 | 660 | 1966 | 400 | 310 | 328/352 |
| RVM42-100-2/RVM42-100 | 1386 | 660 | 2046 | 400 | 310 | 355 |
| RVM42-110-2/RVM42-110 | 1466 | 700 | 2166 | 450 | 345 | 426 |
| RVM42-120-2/RVM42-120 | 1546 | 700 | 2246 | 450 | 345 | 432 |
| RVM42-130-2 | 1626 | 700 | 2326 | 450 | 345 | 438 |

The overall dimensions of the single-phase motor and explosion-proof motor are a little different. Please contact us for details.

RVM/RVMS65, 50Hz

PERFORMANCE CURVE

2900RPM



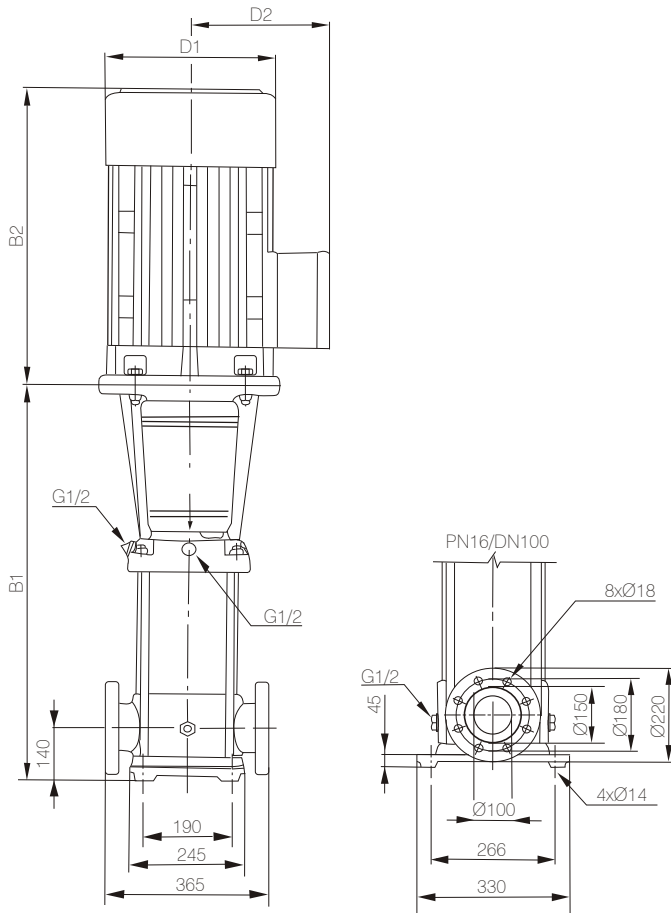
TECHNICAL DATA

PERFORMANCE TABLE

| MODEL | DRIVING MOTOR | | Q (m ³ /h) | 30 | 40 | 50 | 60 | 65 | 70 | 80 |
|------------|---------------|------|--------------------------|-----|-----|----|----|----|----|----|
| | (kW) | (hp) | | | | | | | | |
| RVM65-10-1 | 4.0 | 5.5 | | 19 | 18 | 16 | 14 | 13 | 11 | 8 |
| RVM65-10 | 5.5 | 7.5 | | 27 | 25 | 23 | 21 | 20 | 18 | 15 |
| RVM65-20-2 | 7.5 | 10 | | 39 | 36 | 33 | 29 | 26 | 23 | 17 |
| RVM65-20-1 | 11 | 15 | | 46 | 44 | 40 | 36 | 33 | 30 | 24 |
| RVM65-20 | 11 | 15 | H | 53 | 51 | 47 | 43 | 40 | 37 | 30 |
| RVM65-30-2 | 15 | 20 | [m] | 66 | 62 | 56 | 50 | 46 | 41 | 32 |
| RVM65-30-1 | 15 | 20 | | 73 | 69 | 63 | 57 | 53 | 48 | 39 |
| RVM65-30 | 18.5 | 25 | | 80 | 76 | 70 | 64 | 60 | 55 | 46 |
| RVM65-40-2 | 18.5 | 25 | | 92 | 87 | 80 | 71 | 66 | 60 | 47 |
| RVM65-40-1 | 22 | 30 | | 100 | 94 | 87 | 78 | 73 | 67 | 54 |
| RVM65-40 | 22 | 30 | | 107 | 101 | 94 | 85 | 80 | 74 | 61 |

| MODEL | DRIVING MOTOR | | Q (m ³ /h) | 30 | 40 | 50 | 60 | 65 | 70 | 80 |
|------------|---------------|------|--------------------------|-----|-----|-----|-----|-----|-----|-----|
| | (kW) | (hp) | | | | | | | | |
| RVM65-50-2 | 30 | 40 | | 121 | 114 | 105 | 95 | 88 | 80 | 64 |
| RVM65-50-1 | 30 | 40 | | 128 | 121 | 112 | 102 | 95 | 87 | 71 |
| RVM65-50 | 30 | 40 | | 136 | 129 | 119 | 109 | 102 | 94 | 78 |
| RVM65-60-2 | 30 | 40 | | 150 | 142 | 131 | 118 | 110 | 101 | 81 |
| RVM65-60-1 | 37 | 50 | H | 157 | 149 | 138 | 125 | 117 | 108 | 88 |
| RVM65-60 | 37 | 50 | [m] | 164 | 156 | 145 | 132 | 124 | 115 | 95 |
| RVM65-70-2 | 37 | 50 | | 179 | 169 | 156 | 141 | 132 | 121 | 99 |
| RVM65-70-1 | 37 | 50 | | 186 | 176 | 163 | 148 | 139 | 128 | 106 |
| RVM65-70 | 45 | 60 | | 193 | 183 | 170 | 155 | 146 | 135 | 112 |
| RVM65-80-2 | 45 | 60 | | 207 | 196 | 182 | 164 | 154 | 142 | 116 |
| RVM65-80-1 | 45 | 60 | | 215 | 203 | 189 | 171 | 161 | 149 | 123 |

PUMP DIMENSIONS



SIZE AND WEIGHT

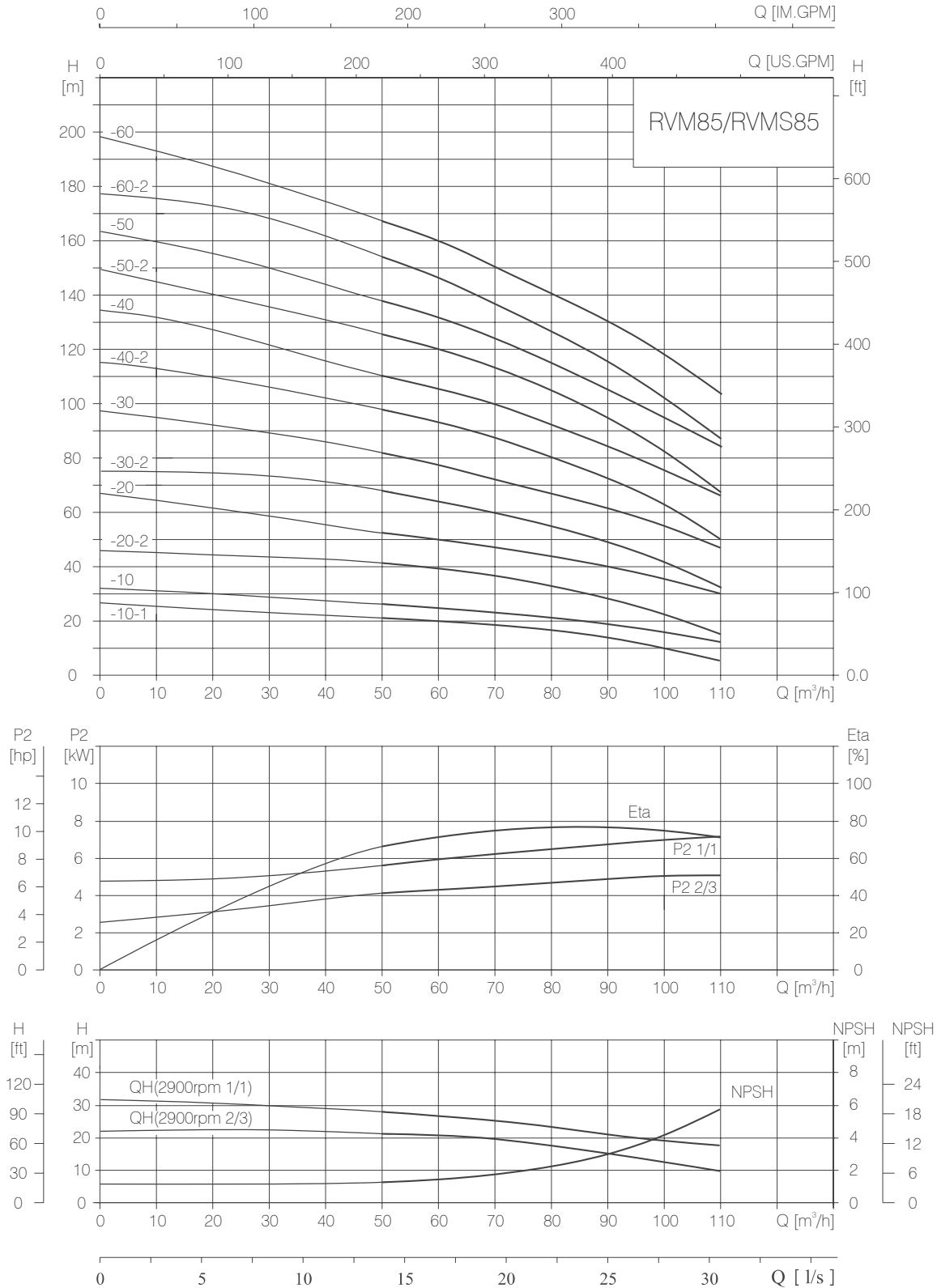
| MODEL | SIZE (mm) | | | | | WEIGHT (kg) |
|------------|-----------|-----|-------|-----|-----|-------------|
| | B1 | B2 | B1+B2 | D1 | D2 | |
| RVM65-10-1 | 561 | 335 | 896 | 230 | 188 | 93 |
| RVM65-10 | 561 | 430 | 991 | 260 | 208 | 105 |
| RVM65-20-2 | 644 | 430 | 1074 | 260 | 208 | 110 |
| RVM65-20-1 | 754 | 490 | 1244 | 330 | 255 | 182 |
| RVM65-20 | 754 | 490 | 1244 | 330 | 255 | 182 |
| RVM65-30-2 | 836 | 490 | 1326 | 330 | 255 | 196 |
| RVM65-30-1 | 836 | 490 | 1326 | 330 | 255 | 197 |
| RVM65-30 | 836 | 550 | 1386 | 330 | 255 | 221 |
| RVM65-40-2 | 919 | 550 | 1469 | 330 | 255 | 225 |
| RVM65-40-1 | 919 | 590 | 1509 | 360 | 285 | 258 |
| RVM65-40 | 919 | 590 | 1509 | 360 | 285 | 258 |
| RVM65-50-2 | 1001 | 660 | 1661 | 400 | 310 | 319 |
| RVM65-50-1 | 1001 | 660 | 1661 | 400 | 310 | 319 |
| RVM65-50 | 1001 | 660 | 1661 | 400 | 310 | 320 |
| RVM65-60-2 | 1084 | 660 | 1744 | 400 | 310 | 325 |
| RVM65-60-1 | 1084 | 660 | 1744 | 400 | 310 | 349 |
| RVM65-60 | 1084 | 660 | 1744 | 400 | 310 | 349 |
| RVM65-70-2 | 1166 | 660 | 1826 | 400 | 310 | 353 |
| RVM65-70-1 | 1166 | 660 | 1826 | 400 | 310 | 353 |
| RVM65-70 | 1166 | 700 | 1866 | 460 | 340 | 420 |
| RVM65-80-2 | 1248 | 700 | 1948 | 460 | 340 | 424 |
| RVM65-80-1 | 1248 | 700 | 1948 | 460 | 340 | 424 |

The overall dimensions of the single-phase motor and explosion-proof motor are a little different. Please contact us for details.
(For RVM65 Series, PN25-40/DN100 standard flange is also available if required)

RVM/RVMS85, 50Hz

PERFORMANCE CURVE

2900RPM

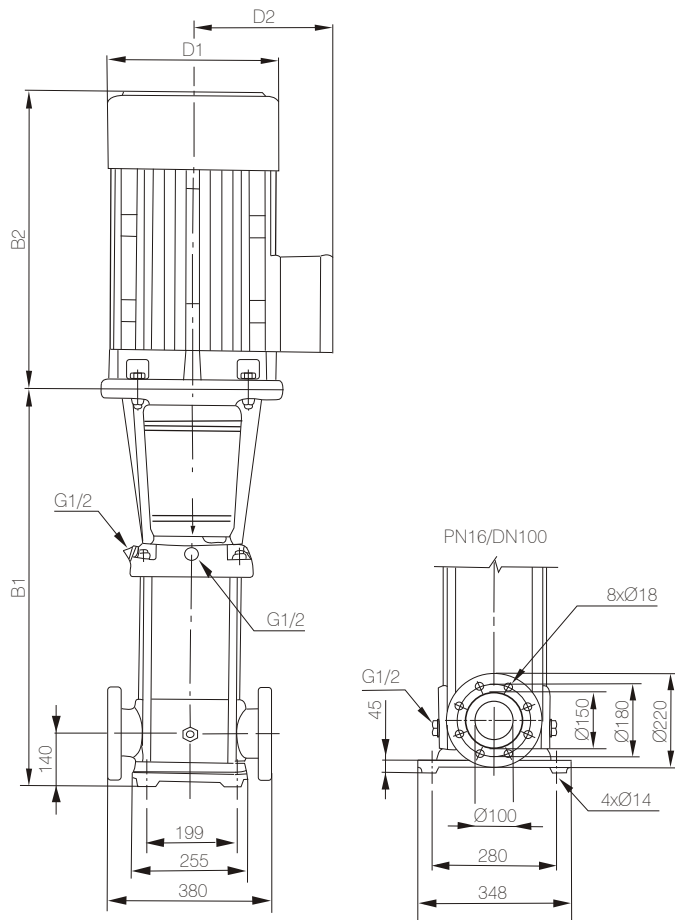


TECHNICAL DATA

PERFORMANCE TABLE

| MODEL | DRIVING MOTOR | | Q (m ³ /h) | 50 | 60 | 70 | 80 | 85 | 90 | 100 | 110 |
|------------|---------------|------|--------------------------|-----|-----|-----|-----|-----|-----|-----|-----|
| | (kW) | (hp) | | | | | | | | | |
| RVM85-10-1 | 5.5 | 7.5 | | 22 | 19 | 17 | 16 | 14 | 13 | 10 | 6 |
| RVM85-10 | 7.5 | 10 | | 25 | 24 | 22 | 21 | 20 | 19 | 16 | 12 |
| RVM85-20-2 | 11 | 15 | | 41 | 39 | 36 | 32 | 30 | 28 | 22 | 15 |
| RVM85-20 | 15 | 20 | | 53 | 50 | 47 | 44 | 41 | 40 | 36 | 30 |
| RVM85-30-2 | 18.5 | 25 | | 68 | 65 | 60 | 55 | 52 | 49 | 41 | 32 |
| RVM85-30 | 22 | 30 | H | 81 | 77 | 72 | 67 | 64 | 62 | 55 | 48 |
| RVM85-40-2 | 30 | 40 | [m] | 98 | 93 | 87 | 80 | 75 | 72 | 62 | 50 |
| RVM85-40 | 30 | 40 | | 110 | 105 | 100 | 92 | 86 | 84 | 76 | 66 |
| RVM85-50-2 | 37 | 50 | | 126 | 120 | 113 | 104 | 98 | 93 | 81 | 68 |
| RVM85-50 | 37 | 50 | | 139 | 131 | 124 | 115 | 110 | 106 | 94 | 83 |
| RVM85-60-2 | 45 | 60 | | 155 | 148 | 139 | 129 | 122 | 117 | 102 | 86 |
| RVM85-60 | 45 | 60 | | 168 | 160 | 150 | 141 | 134 | 130 | 117 | 103 |

PUMP DIMENSIONS



SIZE AND WEIGHT

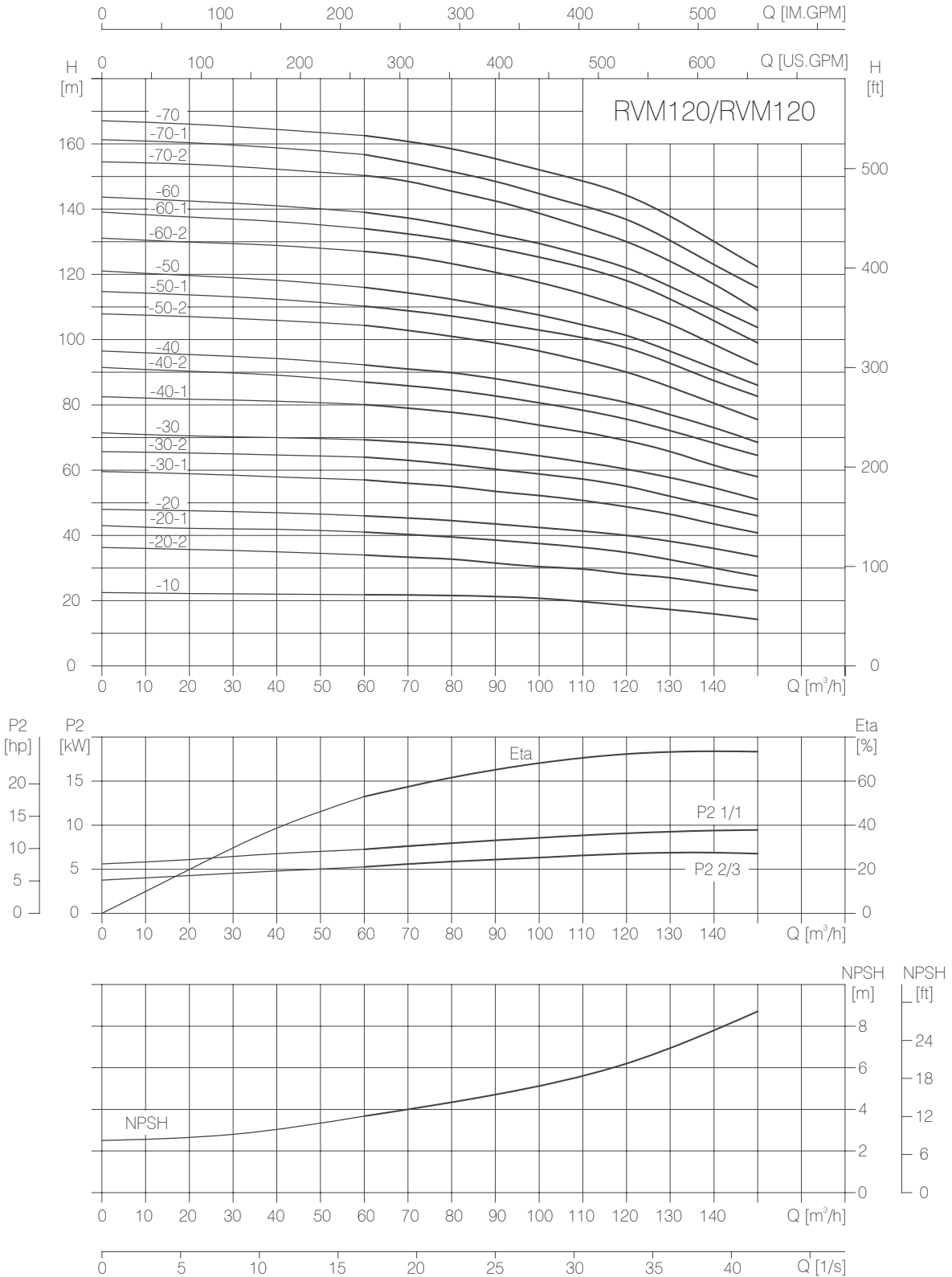
| MODEL | SIZE (mm) | | | | | WEIGHT (kg) |
|------------|-----------|-----|-------|-----|-----|-------------|
| | B1 | B2 | B1+B2 | D1 | D2 | |
| RVM85-10-1 | 571 | 430 | 1001 | 260 | 208 | 105 |
| RVM85-10 | 571 | 430 | 1001 | 260 | 208 | 110 |
| RVM85-20-2 | 773 | 490 | 1263 | 330 | 255 | 181 |
| RVM85-20 | 773 | 490 | 1263 | 330 | 255 | 192 |
| RVM85-30-2 | 865 | 550 | 1415 | 330 | 255 | 215 |
| RVM85-30 | 865 | 590 | 1455 | 360 | 285 | 252 |
| RVM85-40-2 | 957 | 660 | 1617 | 400 | 310 | 312 |
| RVM85-40 | 957 | 660 | 1617 | 400 | 310 | 312 |
| RVM85-50-2 | 1049 | 660 | 1709 | 400 | 310 | 336 |
| RVM85-50 | 1049 | 660 | 1709 | 400 | 310 | 336 |
| RVM85-60-2 | 1141 | 700 | 1841 | 460 | 340 | 407 |
| RVM85-60 | 1141 | 700 | 1841 | 460 | 340 | 407 |

The overall dimensions of the single-phase motor and explosion-proof motor are a little different. Please contact us for details.
(For RVM85 Series, PN25-40/DN100 standard flange is also available if required)

RVM/RVMS120, 50Hz

PERFORMANCE CURVE

2900RPM

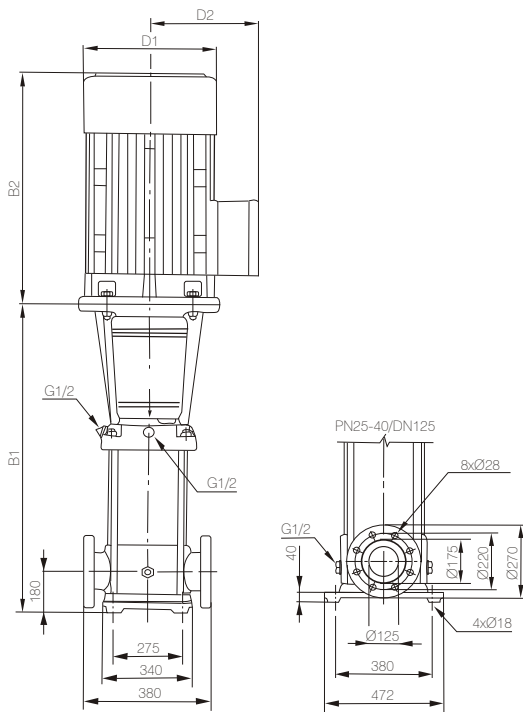


TECHNICAL DATA

PERFORMANCE TABLE

| MODEL | DRIVING MOTOR | | Q (m ³ /h) | 60 | 70 | 80 | 90 | 100 | 110 | 120 | 130 | 140 | 150 |
|-------------|---------------|------|--------------------------|-------|-------|-------|-------|-------|-------|-------|-------|-------|-------|
| | (kW) | (hp) | | | | | | | | | | | |
| RVM120-10 | 11 | 15 | | 22 | 21.8 | 21.6 | 21 | 20.5 | 19.5 | 18.5 | 17 | 16 | 15 |
| RVM120-20-2 | 15 | 20 | | 34 | 33.6 | 33 | 31 | 30.2 | 30 | 28.5 | 27 | 25 | 24 |
| RVM120-20-1 | 18.5 | 25 | | 41 | 40 | 39.5 | 38.5 | 37 | 36.5 | 34.5 | 32.5 | 30 | 27.5 |
| RVM120-20 | 22 | 30 | | 46 | 45 | 44.5 | 43.5 | 42.4 | 41 | 40 | 38 | 36 | 33.5 |
| RVM120-30-2 | 30 | 40 | | 57 | 56 | 55 | 53.5 | 52 | 51 | 49 | 46.5 | 43.5 | 41 |
| RVM120-30-1 | 30 | 40 | | 64 | 63 | 62 | 60 | 58.5 | 57.5 | 55.5 | 52 | 49 | 46 |
| RVM120-30 | 30 | 40 | | 69.5 | 68.5 | 67.5 | 66 | 64.4 | 62.5 | 61 | 57.5 | 54.5 | 51 |
| RVM120-40-2 | 37 | 50 | H (m) | 80.5 | 79 | 78 | 76 | 73.5 | 72 | 69 | 66 | 61.5 | 58 |
| RVM120-40-1 | 37 | 50 | | 87 | 86 | 84.5 | 82 | 80 | 78 | 76 | 72 | 68 | 64.5 |
| RVM120-40 | 45 | 60 | | 92.5 | 91 | 90 | 88 | 85.5 | 83 | 81 | 77 | 73 | 68.5 |
| RVM120-50-2 | 45 | 60 | | 104.5 | 103 | 101 | 99 | 96 | 93 | 90 | 85.5 | 80.5 | 75.5 |
| RVM120-50-1 | 45 | 60 | | 110.5 | 109 | 107.5 | 105 | 102 | 100 | 97 | 92 | 86.5 | 83 |
| RVM120-50 | 55 | 75 | | 115.5 | 114 | 113 | 110 | 107.5 | 104.5 | 101.5 | 96 | 91 | 86 |
| RVM120-60-2 | 55 | 75 | | 128 | 125.5 | 123 | 121 | 117.3 | 113.5 | 110 | 104.5 | 98.5 | 92.5 |
| RVM120-60-1 | 55 | 75 | | 134 | 132 | 130.5 | 127 | 124 | 121 | 118 | 111 | 105 | 100 |
| RVM120-60 | 75 | 100 | | 139 | 137 | 135 | 132 | 128.8 | 126 | 123 | 116 | 110 | 104 |
| RVM120-70-2 | 75 | 100 | | 151 | 148 | 145.5 | 143 | 138.6 | 134 | 130 | 123.5 | 116.5 | 109 |
| RVM120-70-1 | 75 | 100 | | 156.5 | 154 | 152 | 148.5 | 144.5 | 141 | 137.5 | 130 | 123 | 116.5 |
| RVM120-70 | 75 | 100 | | 162.5 | 160.5 | 158.5 | 155 | 151 | 148 | 145 | 137 | 129 | 123 |

PUMP DIMENSIONS



The overall dimensions of the explosion-proof motor are a little different. Please contact us for details.

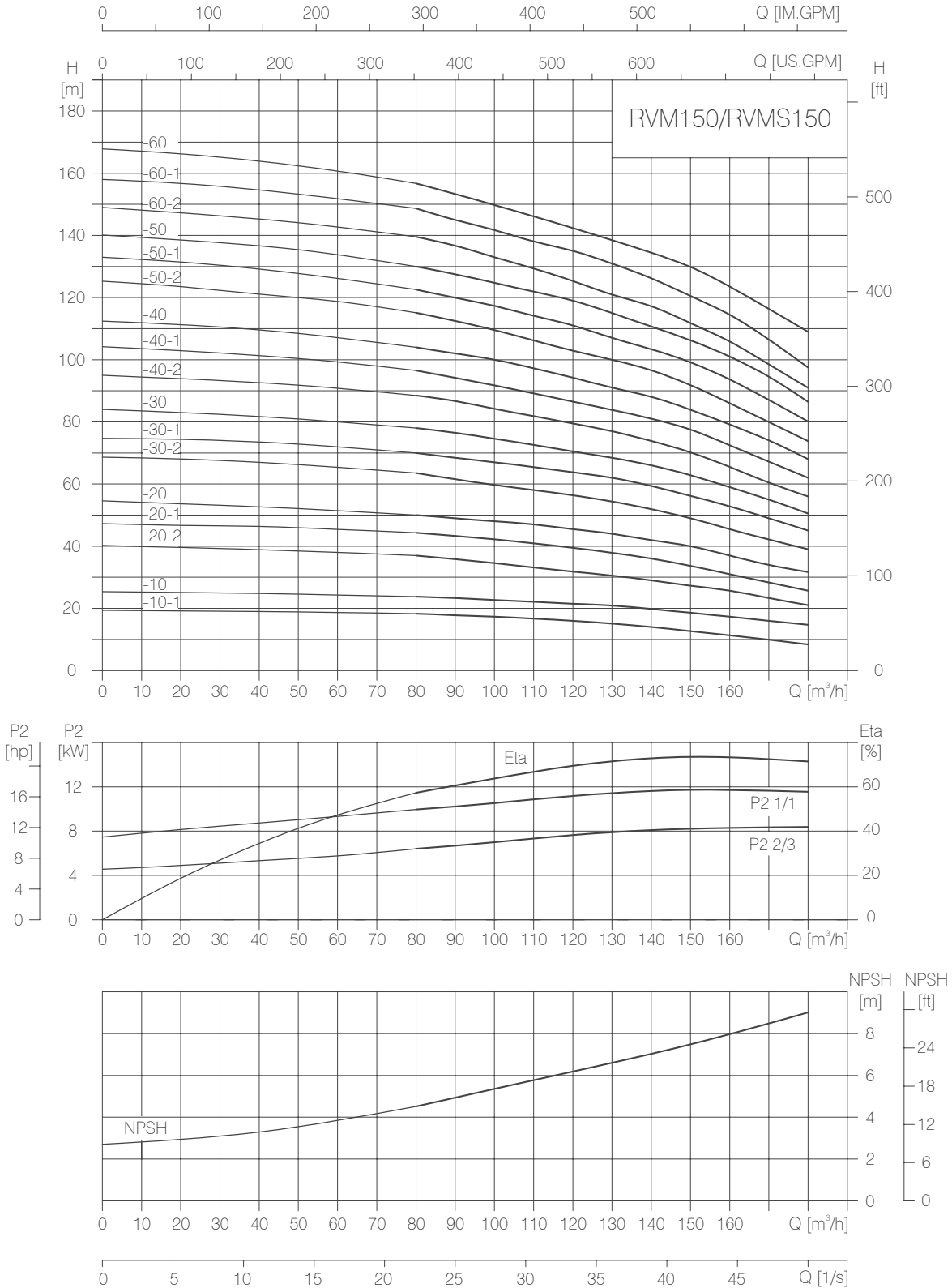
SIZE AND WEIGHT

| MODEL | SIZE(mm) | | | | | WEIGHT (kg) |
|-------------|----------|-----|-------|-----|-----|----------------|
| | B1 | B2 | B1+B2 | D1 | D2 | |
| RVM120-10 | 840 | 490 | 1330 | 330 | 255 | 230 |
| RVM120-20-2 | 1000 | 490 | 1490 | 330 | 255 | 245 |
| RVM120-20-1 | 1000 | 550 | 1550 | 330 | 255 | 250 |
| RVM120-20 | 1000 | 590 | 1590 | 360 | 285 | 285 |
| RVM120-30-2 | 1160 | 660 | 1820 | 400 | 310 | 360 |
| RVM120-30-1 | 1160 | 660 | 1820 | 400 | 310 | 360 |
| RVM120-30 | 1160 | 660 | 1820 | 400 | 310 | 360 |
| RVM120-40-2 | 1320 | 660 | 1980 | 400 | 310 | 400 |
| RVM120-40-1 | 1320 | 660 | 1980 | 400 | 310 | 400 |
| RVM120-40 | 1320 | 700 | 2020 | 460 | 340 | 460 |
| RVM120-50-2 | 1480 | 700 | 2180 | 460 | 340 | 470 |
| RVM120-50-1 | 1480 | 700 | 2180 | 460 | 340 | 470 |
| RVM120-50 | 1510 | 770 | 2280 | 540 | 370 | 575 |
| RVM120-60-2 | 1670 | 770 | 2440 | 540 | 370 | 585 |
| RVM120-60-1 | 1670 | 770 | 2440 | 540 | 370 | 585 |
| RVM120-60 | 1670 | 845 | 2515 | 580 | 410 | 705 |
| RVM120-70-2 | 1830 | 845 | 2675 | 580 | 410 | 715 |
| RVM120-70-1 | 1830 | 845 | 2675 | 580 | 410 | 715 |
| RVM120-70 | 1830 | 845 | 2675 | 580 | 410 | 715 |

RVM/RVMS150, 50Hz

PERFORMANCE CURVE

2900RPM

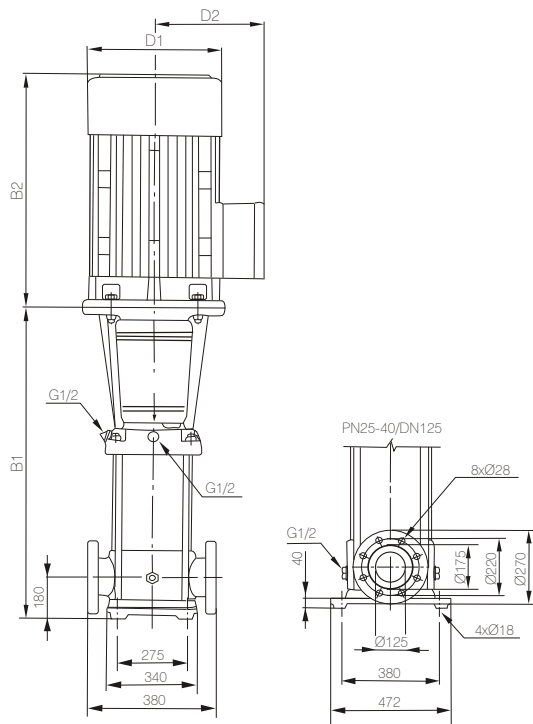


TECHNICAL DATA

PERFORMANCE TABLE

| MODEL | DRIVING MOTOR | | Q (m ³ /h) | 80 | 90 | 100 | 110 | 120 | 130 | 140 | 150 | 160 | 170 | 180 |
|-------------|---------------|------|--------------------------|-------|-------|-------|-------|-------|-------|-------|-------|-------|-------|------|
| | (kW) | (hp) | | | | | | | | | | | | |
| RVM150-10-1 | 11 | 11 | | 18.3 | 17.8 | 17.3 | 17 | 16 | 15 | 14 | 12.5 | 11 | 10 | 8.5 |
| RVM150-10 | 15 | 15 | | 24 | 23 | 22.5 | 22 | 21.5 | 20.5 | 20 | 18.5 | 17 | 16 | 15 |
| RVM150-20-2 | 18.5 | 18.5 | | 37 | 35.5 | 34 | 33 | 32 | 31 | 29 | 27.5 | 26 | 23 | 21 |
| RVM150-20-1 | 22 | 22 | | 44.3 | 43 | 42 | 40 | 39 | 38.5 | 37.5 | 35 | 33 | 30 | 27 |
| RVM150-20 | 30 | 30 | | 50 | 49 | 48 | 47 | 45.5 | 44 | 42 | 40 | 37 | 34 | 32 |
| RVM150-30-2 | 30 | 30 | H | 63.5 | 61 | 59 | 57.5 | 56 | 54.5 | 53 | 49 | 45.5 | 42 | 39 |
| RVM150-30-1 | 37 | 37 | (m) | 70 | 68 | 67 | 65 | 63 | 62 | 60 | 56 | 53 | 49 | 45 |
| RVM150-30 | 37 | 37 | | 78 | 76.5 | 75 | 73 | 70.5 | 68 | 66 | 63 | 59 | 55 | 50.5 |
| RVM150-40-2 | 45 | 45 | | 89 | 87 | 84 | 81.5 | 79 | 77 | 74.5 | 70.5 | 65.5 | 60 | 56 |
| RVM150-40-1 | 45 | 45 | | 96.5 | 94 | 91.5 | 89 | 86.5 | 84 | 81.5 | 77 | 72.5 | 67 | 62 |
| RVM150-40 | 55 | 55 | | 104 | 102 | 100 | 97 | 95 | 91 | 88 | 84 | 79.5 | 74 | 68 |
| RVM150-50-2 | 55 | 55 | | 115.5 | 112 | 109 | 106 | 102.5 | 100 | 97 | 92 | 86 | 79 | 73.5 |
| RVM150-50-1 | 75 | 75 | | 122.5 | 119.5 | 117 | 113.5 | 111.5 | 107.5 | 104.5 | 99 | 93.5 | 87 | 80 |
| RVM150-50 | 75 | 75 | | 130 | 127.5 | 125 | 121 | 119 | 115 | 111.5 | 106.5 | 101 | 94.5 | 86.5 |
| RVM150-60-2 | 75 | 75 | | 140 | 137 | 133 | 130 | 126 | 121 | 118 | 112 | 106 | 98 | 91 |
| RVM150-60-1 | 75 | 75 | | 148.5 | 145 | 141.7 | 137.5 | 135 | 131 | 127 | 120.5 | 114.5 | 106.5 | 97.5 |
| RVM150-60 | 75 | 75 | | 157 | 153 | 149 | 145 | 142 | 139.5 | 137 | 130 | 123.5 | 116 | 109 |

PUMP DIMENSIONS



SIZE AND WEIGHT

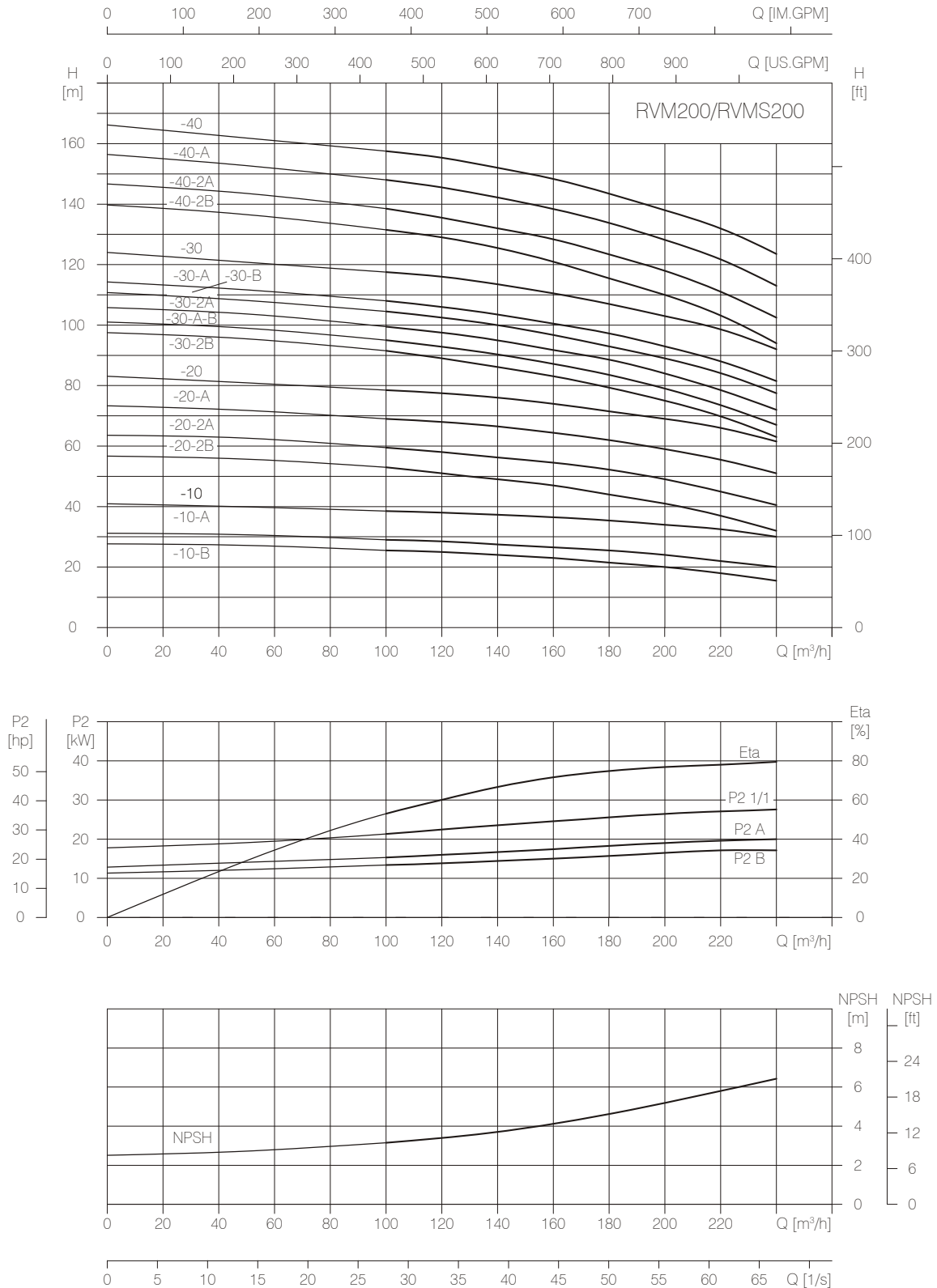
| MODEL | SIZE(mm) | | | | | WEIGHT (kg) |
|-------------|----------|-----|-------|-----|-----|----------------|
| | B1 | B2 | B1+B2 | D1 | D2 | |
| RVM150-10-1 | 840 | 490 | 1330 | 330 | 255 | 230 |
| RVM150-10 | 840 | 490 | 1330 | 330 | 255 | 235 |
| RVM150-20-2 | 1000 | 550 | 1550 | 330 | 255 | 250 |
| RVM150-20-1 | 1000 | 590 | 1590 | 360 | 285 | 295 |
| RVM150-20 | 1000 | 660 | 1660 | 400 | 310 | 350 |
| RVM150-30-2 | 1160 | 660 | 1820 | 400 | 310 | 360 |
| RVM150-30-1 | 1160 | 660 | 1820 | 400 | 310 | 360 |
| RVM150-30 | 1160 | 660 | 1820 | 400 | 310 | 385 |
| RVM150-40-2 | 1320 | 700 | 2020 | 460 | 340 | 460 |
| RVM150-40-1 | 1320 | 700 | 2020 | 460 | 340 | 460 |
| RVM150-40 | 1350 | 770 | 2120 | 540 | 370 | 560 |
| RVM150-50-2 | 1510 | 770 | 2280 | 540 | 370 | 570 |
| RVM150-50-1 | 1510 | 845 | 2355 | 580 | 410 | 690 |
| RVM150-50 | 1510 | 845 | 2355 | 580 | 410 | 690 |
| RVM150-60-2 | 1670 | 845 | 2515 | 580 | 410 | 700 |
| RVM150-60-1 | 1670 | 845 | 2515 | 580 | 410 | 700 |
| RVM150-60 | 1670 | 845 | 2515 | 580 | 410 | 700 |

The overall dimensions of the explosion-proof motor are a little different. Please contact us for details.

RVM/RVMS200, 50Hz

PERFORMANCE CURVE

2900RPM

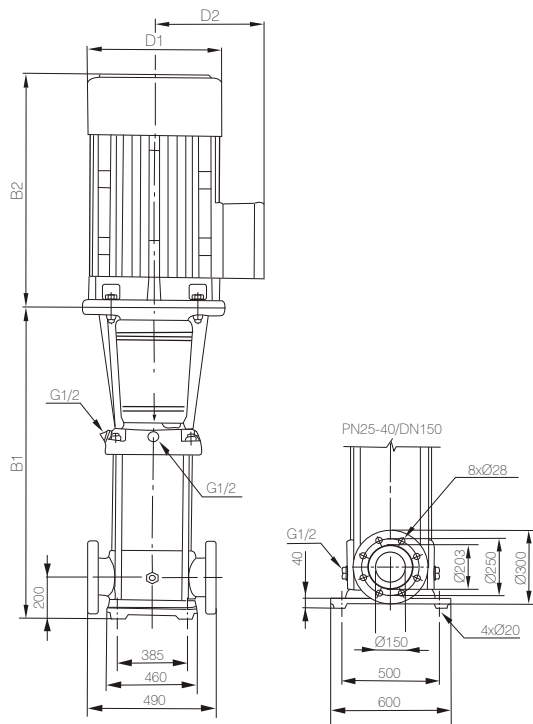


TECHNICAL DATA

PERFORMANCE TABLE

| MODEL | DRIVING MOTOR | | Q (m ³ /h) | 100 | 120 | 140 | 160 | 180 | 200 | 220 | 240 |
|---------------|---------------|------|--------------------------|-------|-------|-------|-------|-------|-----|-------|-------|
| | (kW) | (hp) | | | | | | | | | |
| RVM200-10-B | 18.5 | 20 | | 25.5 | 25 | 24 | 23 | 21.5 | 20 | 18 | 15.5 |
| RVM200-10-A | 22 | 30 | | 29 | 28.5 | 27.5 | 26.5 | 25.5 | 24 | 22 | 20 |
| RVM200-10 | 30 | 40 | | 38.5 | 38 | 37.5 | 36.5 | 35 | 34 | 32.5 | 30 |
| RVM200-20-2B | 37 | 50 | | 53 | 51 | 49 | 47 | 44 | 41 | 37 | 32 |
| RVM200-20-2A | 45 | 60 | | 59.5 | 58 | 56 | 54 | 52.5 | 49 | 44.5 | 40.5 |
| RVM200-20-A | 55 | 75 | | 69 | 68 | 66 | 64 | 62 | 59 | 55.5 | 51 |
| RVM200-20 | 55 | 75 | | 78.5 | 77.5 | 76 | 74 | 71.5 | 69 | 66 | 61.5 |
| RVM200-30-2B | 75 | 100 | H (m) | 91.5 | 89 | 86.5 | 83.5 | 79 | 75 | 70 | 63 |
| RVM200-30-A-B | 75 | 100 | | 95 | 93 | 90 | 87 | 83.5 | 79 | 73.5 | 67 |
| RVM200-30-2A | 75 | 100 | | 99.5 | 97.5 | 94.5 | 91.5 | 89 | 84 | 78.5 | 72 |
| RVM200-30-B | 75 | 100 | | 104.5 | 102.5 | 100 | 97 | 93 | 89 | 84.5 | 77.5 |
| RVM200-30-A | 75 | 100 | | 108 | 106 | 103.5 | 100.5 | 97.5 | 93 | 88 | 81.5 |
| RVM200-30 | 90 | 120 | | 117.5 | 116 | 113.5 | 110.5 | 107 | 103 | 99 | 92 |
| RVM200-40-2B | 90 | 120 | | 131.5 | 129 | 125.5 | 121 | 115.5 | 110 | 103.5 | 94 |
| RVM200-40-2A | 110 | 150 | | 138.5 | 136 | 132 | 128 | 124 | 118 | 111 | 102.5 |
| RVM200-40-A | 110 | 150 | | 148 | 145.5 | 142.5 | 138 | 134 | 128 | 122 | 113 |
| RVM200-40 | 110 | 150 | | 157.5 | 155.5 | 152.5 | 148 | 143.5 | 138 | 132.5 | 123.5 |

PUMP DIMENSIONS



SIZE AND WEIGHT

| MODEL | SIZE(mm) | | | | | WEIGHT (kg) |
|---------------|----------|------|-------|-----|-----|----------------|
| | B1 | B2 | B1+B2 | D1 | D2 | |
| RVM200-10-B | 907 | 550 | 1457 | 330 | 255 | 311 |
| RVM200-10-A | 907 | 590 | 1497 | 360 | 285 | 347 |
| RVM200-10 | 907 | 660 | 1567 | 400 | 310 | 403 |
| RVM200-20-2B | 1101 | 660 | 1761 | 400 | 310 | 447 |
| RVM200-20-2A | 1101 | 700 | 1801 | 460 | 340 | 504 |
| RVM200-20-A | 1131 | 770 | 1901 | 540 | 370 | 595 |
| RVM200-20 | 1131 | 770 | 1901 | 540 | 370 | 595 |
| RVM200-30-2B | 1325 | 845 | 2170 | 580 | 410 | 748 |
| RVM200-30-A-B | 1325 | 845 | 2170 | 580 | 410 | 748 |
| RVM200-30-2A | 1325 | 845 | 2170 | 580 | 410 | 748 |
| RVM200-30-B | 1325 | 845 | 2170 | 580 | 410 | 748 |
| RVM200-30-A | 1325 | 845 | 2170 | 580 | 410 | 748 |
| RVM200-30 | 1325 | 895 | 2220 | 580 | 410 | 817 |
| RVM200-40-2B | 1519 | 895 | 2414 | 580 | 410 | 830 |
| RVM200-40-2A | 1519 | 1140 | 2659 | 645 | 550 | 1180 |
| RVM200-40-A | 1519 | 1140 | 2659 | 645 | 550 | 1180 |
| RVM200-40 | 1519 | 1140 | 1659 | 645 | 550 | 1180 |

The overall dimensions of the explosion-proof motor are a little different. Please contact us for details.

Rotech's Other Products

- DNJ series Close coupled End suction Pumps
- DN series End suction Frame mounted pumps
- 1196 series ANSI process Pumps
- RST series stamped stainless steel pumps
- RVI80 Series Vertical Inline Pumps
- SPT & SPU self-priming Trash Pumps
- SCP & SFP close coupled and frame mounted self-priming
- RCP series NPT close coupled end suction pumps
- Sanitary Centrifugal & Lobe Pumps
- Ball Check Valves
- Mechanical Seals

Apart from the listed above, we offer an array of other products also.
Contact us to get further details



"A Trusted Partner in Pump Solutions"

1320 Britannia Road East, Mississauga, Ontario, Canada. L4W 1C8

Phone: (905) 461 - 9617 | Fax: (905) 461 - 9618

Toll Free: 1-866-217-PUMP (7867)

Email: sales@rotechpumps.com | www.rotechpumps.com