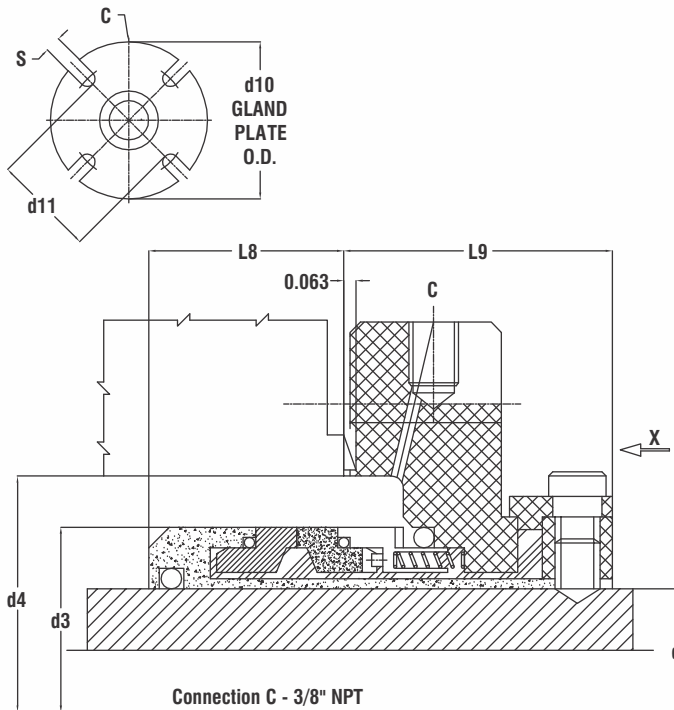


RSCS1BB

BIG BORE SINGLE CARTRIDGE



d	d3	d4 MIN	d4 MAX	d10	d11	L8	L9	S
1.125	1.708	2.625	2.75	4.9	3.108	0.952	1.46	0.551
1.375	1.95	2.725	3	5.25	3.548	0.952	1.46	0.551
1.75	2.41	3.5	3.75	6.5	4.369	0.952	1.46	0.551
1.875	2.537	3.625	3.875	6.5	4.154	0.952	1.46	0.551
2.125	2.795	3.88	4	7.25	4.622	0.952	1.46	0.709
2.25	2.913	4	4.25	7.25	4.741	0.952	1.46	0.709
2.5	3.288	4.5	5	8.25	5.497	1.311	1.622	0.709
2.625	3.41	4.625	4.75	8	5.122	1.311	1.622	0.709
3	3.795	4.875	5.125	8.25	5.622	1.311	1.772	0.709



FEATURES & BENEFITS:

- ▶ Enlarged gland to fit standard big bore pumps
- ▶ Easy cartridge installation
- ▶ Stationary multiple spring design
- ▶ Springs isolated from product
- ▶ Rugged face design
- ▶ Identical seal face shapes make repairs easy & economical
- ▶ Hydraulically balanced design
- ▶ Handles pressure reversals & vacuum
- ▶ Flush connection standard
- ▶ Vent & Drain connections available upon request
- ▶ Big Bore gland alternatives
- ▶ Interchangeable parts with D2 dual cartridges
- ▶ User friendly setting clips
- ▶ Confined gland gaskets

OPERATING LIMITS:

- ▶ Pressure: Upto 250 PSI / 17 Bar
- ▶ Temperature: -40°C to 235°C*

STANDARD MATERIALS OF CONSTRUCTION:

- ▶ **Faces:**
 - ▶ 316 SS, Alloy 20
 - ▶ Silicon Carbide / Silicon Carbide (Note: Tungsten Carbide & Antimony Carbon also available)
- ▶ **Elastomers:**
 - ▶ Viton*, Buna, PTFE, Neoprene, EPR, Kalrez*, AFLAS*, Chemraz*
- ▶ **Metallurgy:**
 - ▶ 304, 316, Monel, Alloy 20, Hast B+C* Carbon / Silicon Carbide