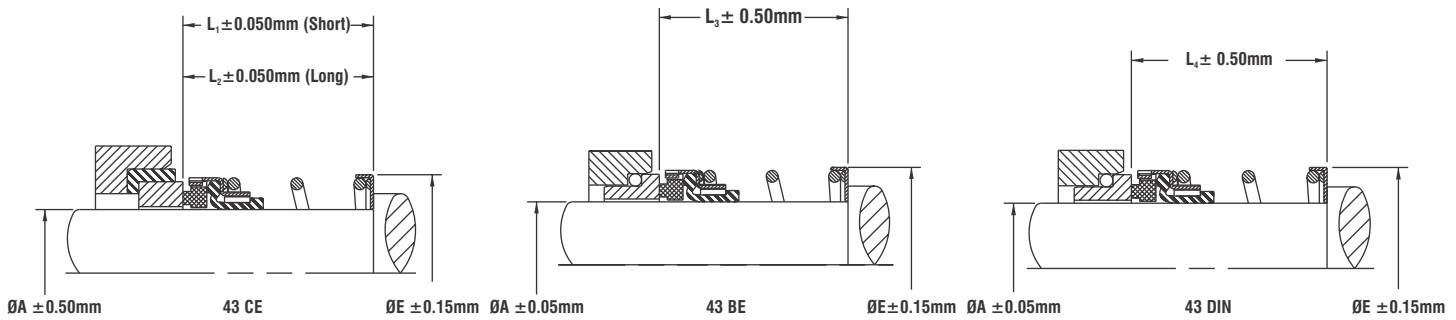


# Rs43

## ELASTOMER BELLOW SEAL



Shaft Size mm	Seal O.D.E	Operating Length			
		43 OE		43 BE	43 DIN
		L1	L2	L3	L4
10	20.05	25.00	44.00	16.00	23.90
12	21.70	25.00	44.00	16.50	23.90
13	23.80	25.00	44.00	-	-
14	24.50	25.00	44.00	16.50	26.40
16	26.65	25.00	44.00	17.60	26.40
18	30.35	25.00	44.00	19.60	27.50
20	31.75	25.00	44.00	20.60	27.50
22	33.55	25.00	44.00	22.10	27.50
24	38.30	25.00	44.00	23.60	30.00
25	38.30	25.00	44.00	25.10	30.00
28	42.20	33.00	60.00	26.60	32.50
30	43.95	33.00	60.00	26.60	32.50
32	45.70	33.00	60.00	30.10	32.50
33	49.10	33.00	60.00	-	32.50
35	49.10	33.00	60.00	30.40	32.50
38	52.40	33.00	60.00	33.60	34.00
40	55.70	32.30	59.30	36.60	34.00
42	61.20	40.30	70.30	-	-
43	61.20	40.30	70.30	-	34.00
45	61.20	40.30	70.30	41.40	34.00
48	64.35	40.30	70.30	46.90	34.00
50	67.35	41.00	71.00	47.90	34.50
53	70.65	41.00	71.00	52.80	34.50
55	71.65	41.00	71.00	55.80	34.50
58	78.40	41.00	71.00	-	39.50
60	78.40	41.00	71.00	56.80	39.50
63	81.10	41.00	71.00	-	39.50
65	84.30	49.00	70.00	57.80	39.50
68	89.65	49.00	70.00	59.50	37.20
70	89.65	49.00	70.00	59.80	44.70
75	96.80	52.00	73.00	60.80	44.70



### FEATURES & BENEFITS:

- ▶ Uncomplicated design
- ▶ Versatility
- ▶ Simple Assembly & Operation
- ▶ No wear on the Shaft
- ▶ Commonly used for Industrial Purpose

### OPERATING LIMITS:

- ▶ Pressure: to 325 PSI (22 Bar)
- ▶ Temperature: -40°C to +150°C (-40°F to 300°F)

### STANDARD MATERIALS OF CONSTRUCTION:

- ▶ **Faces:**
  - ▶ Carbon, Sealide™
- ▶ **Seats:**
  - ▶ Aluminium Oxide, Ni-Resist, SS, Silicon Carbide
- ▶ **Elastomers:**
  - ▶ Nitrile, Ethylene Polypropylene, Viton®, Neoprene
- ▶ **All Seal Metal Parts:**
  - ▶ Stainless Steel 316, Band (Sintered 316)